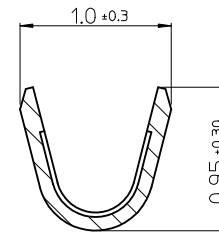
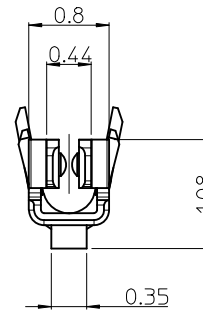
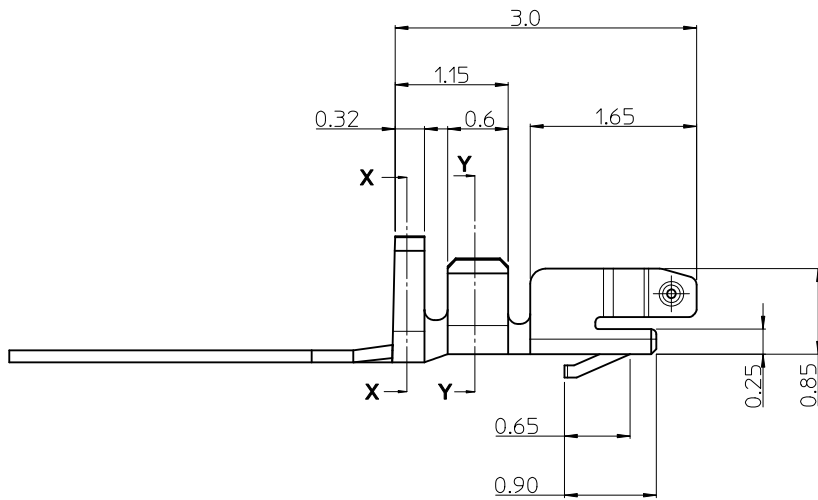
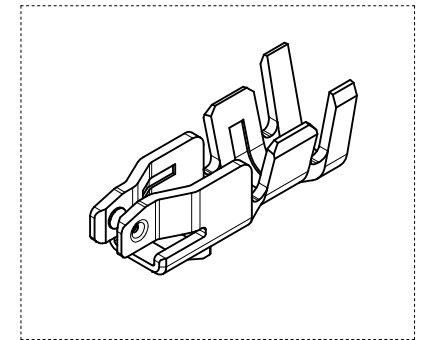


SECTION X-X



SECTION Y-Y



NOTES.

1. APPLICABLE HOUSING : 104128-0400/0500, 104142-1000
2. MATERIAL : PHOSPHOR BRONZE, 0.12mm THICKNESS  
PRE-TIN PLATED  
0.8  $\mu$ m MINIMUM, TIN (Sn) OVER  
0.3  $\mu$ m MINIMUM, COPPER
3. APPLICABLE WIRE RANGE : AWG#30~AWG#32
4. PACKAGING SPECIFICATION : PK-104539-001

(A2)

ORDER NO 104539-8002

REVISED  
EC NO: KOR2012-0092  
DRWN: JHPARK01 2012/03/05  
CHKD:  
APPR: YSKIM02 2012/03/16

REV	DESCRIPTION
1	QUALITY SYMBOLS ▽=0 C=0

GENERAL TOLERANCES (UNLESS SPECIFIED)	
	mm
4 PLACES	± 0.15
3 PLACES	± 0.2
2 PLACES	± 0.3
1 PLACE	± 0.4
ANGULAR ± 0.5°	

DIMENSION STYLE	
MM ONLY	
DRAWN BY	DATE
JHPARK01	2011/07/25
CHECKED BY	DATE
SH. CHU	2011/07/25
APPROVED BY	DATE
YUNSIKKIM	2011/09/21
MATERIAL NO.	
1045398002	

SCALE	DESIGN UNITS	THIRD ANGLE PROJECTION
20/1	METRIC	☉
TITLE		
1.0/1.25MM WTB CONN. RECEPTACLE TERMINAL		
MOLEX INCORPORATED		
DOCUMENT NO.	SHEET NO.	
SD-104539-001	1 OF 1	