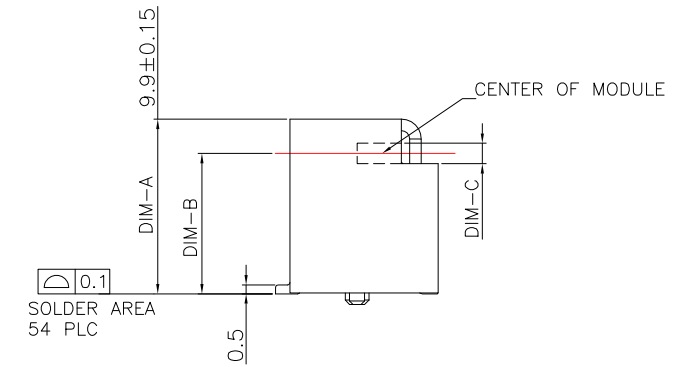


LTEM NO	DIM-A	DIM-B	DIM-C
PCIE-52P40H	4.0mm	2.05mm	1.12mm
PCIE-52P52H	5.2mm	3.25mm	1.12mm
PCIE-52P56H	5.6mm	3.65mm	1.12mm
PCIE-52P70H	7.0mm	5.05mm	1.12mm
PCIE-52P80H	8.0mm	6.05mm	1.16mm
PCIE-52P90H	9.0mm	7.05mm	1.16mm
PCIE-52P99H	9.9mm	7.95mm	1.16mm



NOTES:

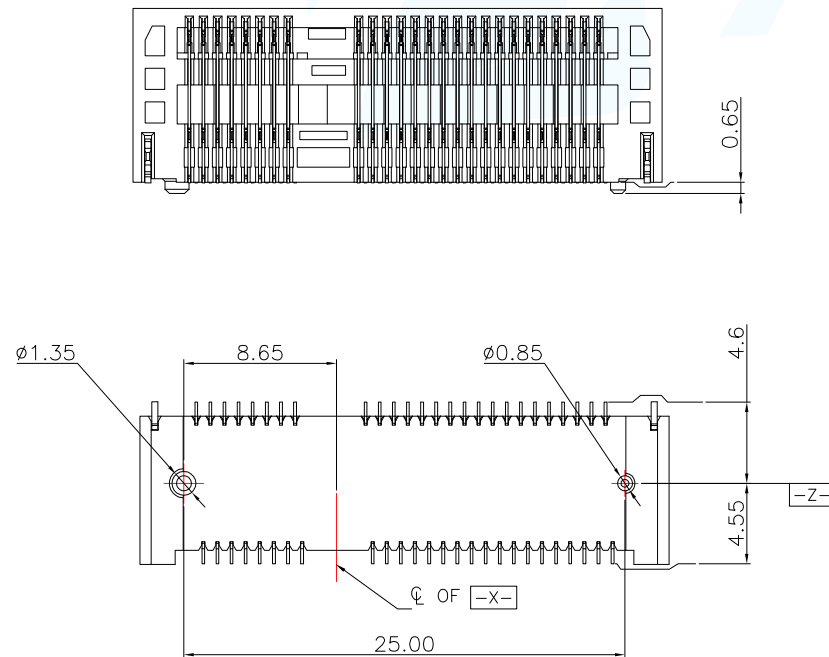
1. MATERIAL:
HOUSING: THERMOPLASTIC, HIGH TEMP, UL94V-0, BLACK COLOR,
CONTACTS: COPPER ALLOY.
PEGS: COPPER ALLOY.
2. FINISH:
CONTACTS: SELECTED GOLD PLATING ON THE CONTACT AREA,
1u" MIN. GOLD PLATING ON THE SOLDER TAILS,
50 u" MIN. NICKEL UNDERPLATING OVER ALL.
PEGS: 120u" MIN. MATTE-TIN OVER 50u" MIN. NICKEL.
3. DATE CODE.

YYWWDD

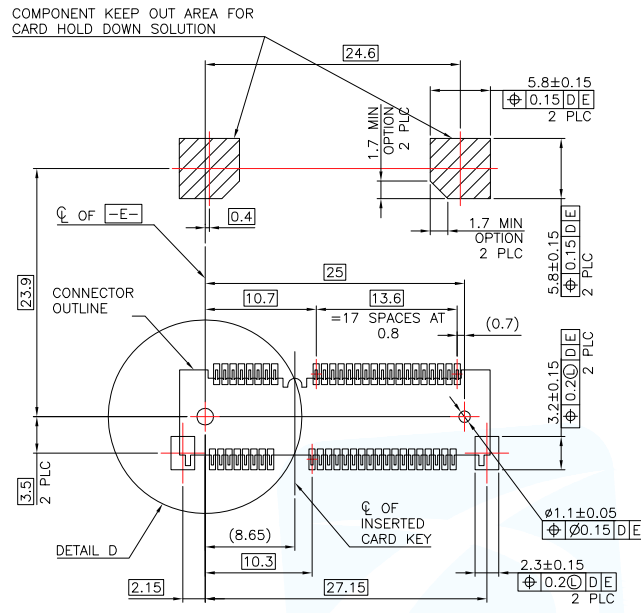
YY: YEAR (19: 2019)

WW: WEEK (25: THE 25TH WEEK)

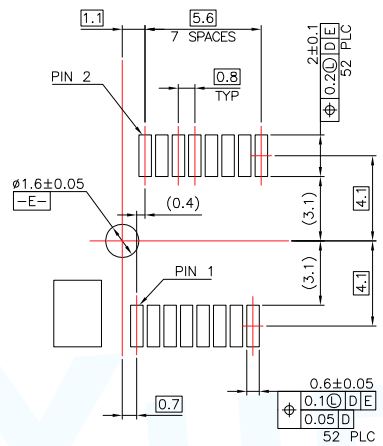
DD: (D1~D7: SUNDAY~SATURDAY)



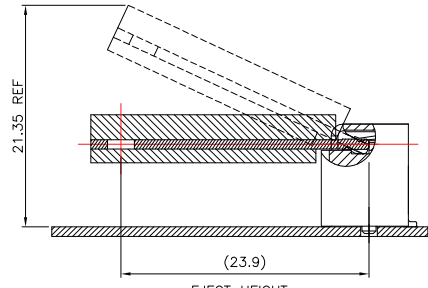
MANUFACTURE DWG		东莞市讯普电子科技有限公司 DongGuan XunPu Electronics Co.,Ltd	
UNLESS OTHERWISE SPECIFIED TOLERANCES			TITLE: MINI PCI EXPRESS
			PAR PCIE-52PNH
			DWN KING
			2016.06.06
DECIMALS: .X:±0.25 .XX:±0.15 .XXX:±0.10	ANGLES: X':±1.5' .X':±1.0' .XX':±0.5'	SCALE:1:1	UNIT:MM
		SIZE:A4	SHEET:1F1
		CUSTOMER COPY	REV:A



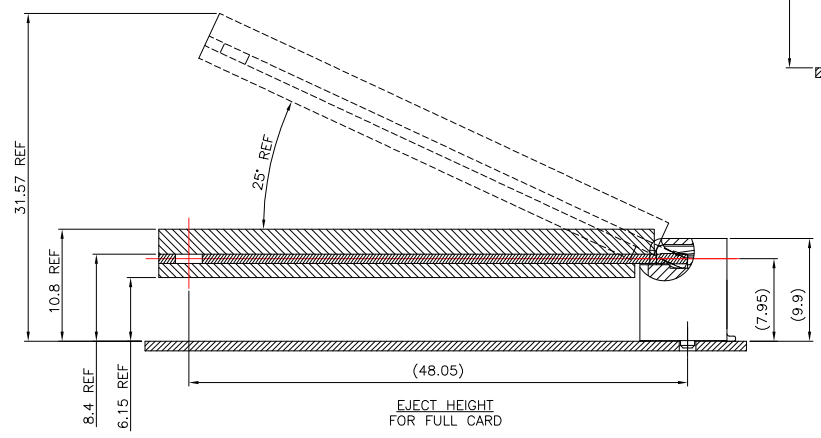
[-D-] IS THE TOP SURFACE OF PCB.
RECOMMENDED P.C. BOARD PATTERN LAYOUT
FOR HALF CARD CONNECTOR
(TOP VIEW)



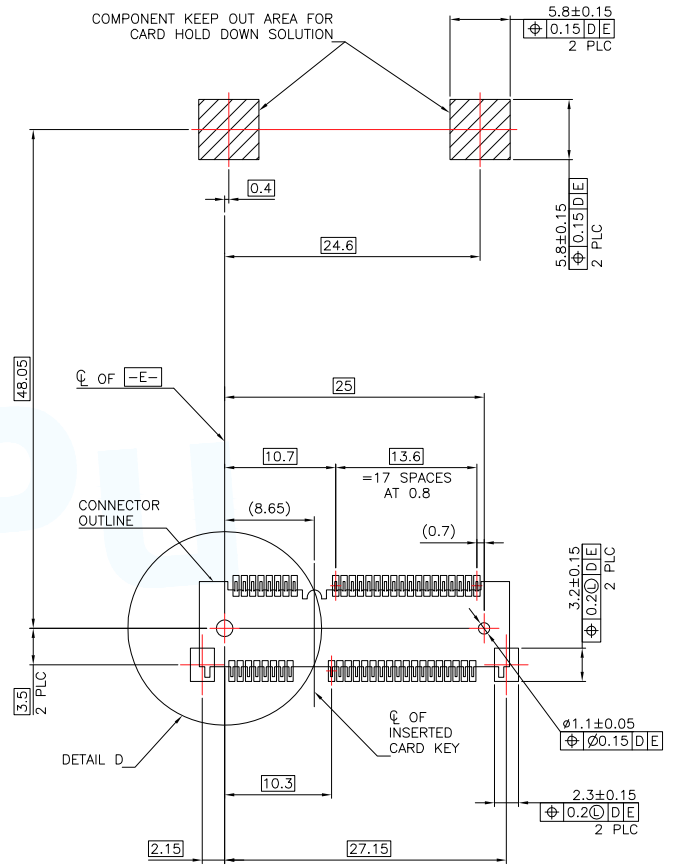
DETAIL D
SCALE 2:1



EJECT HEIGHT
FOR HALF CARD



EJECT HEIGHT
FOR FULL CARD

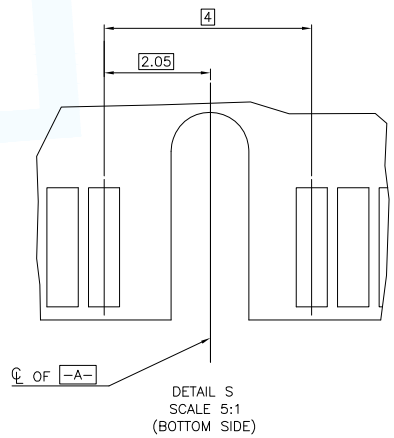
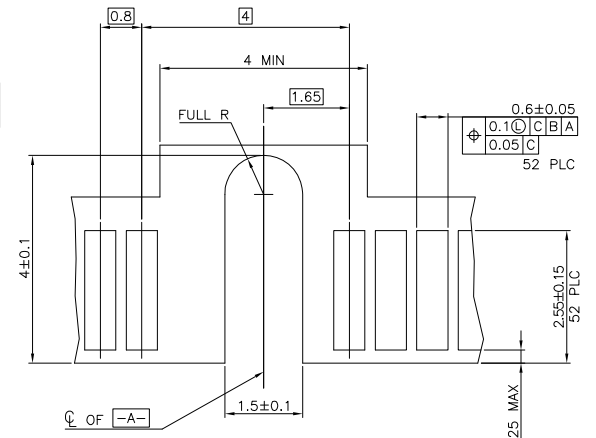
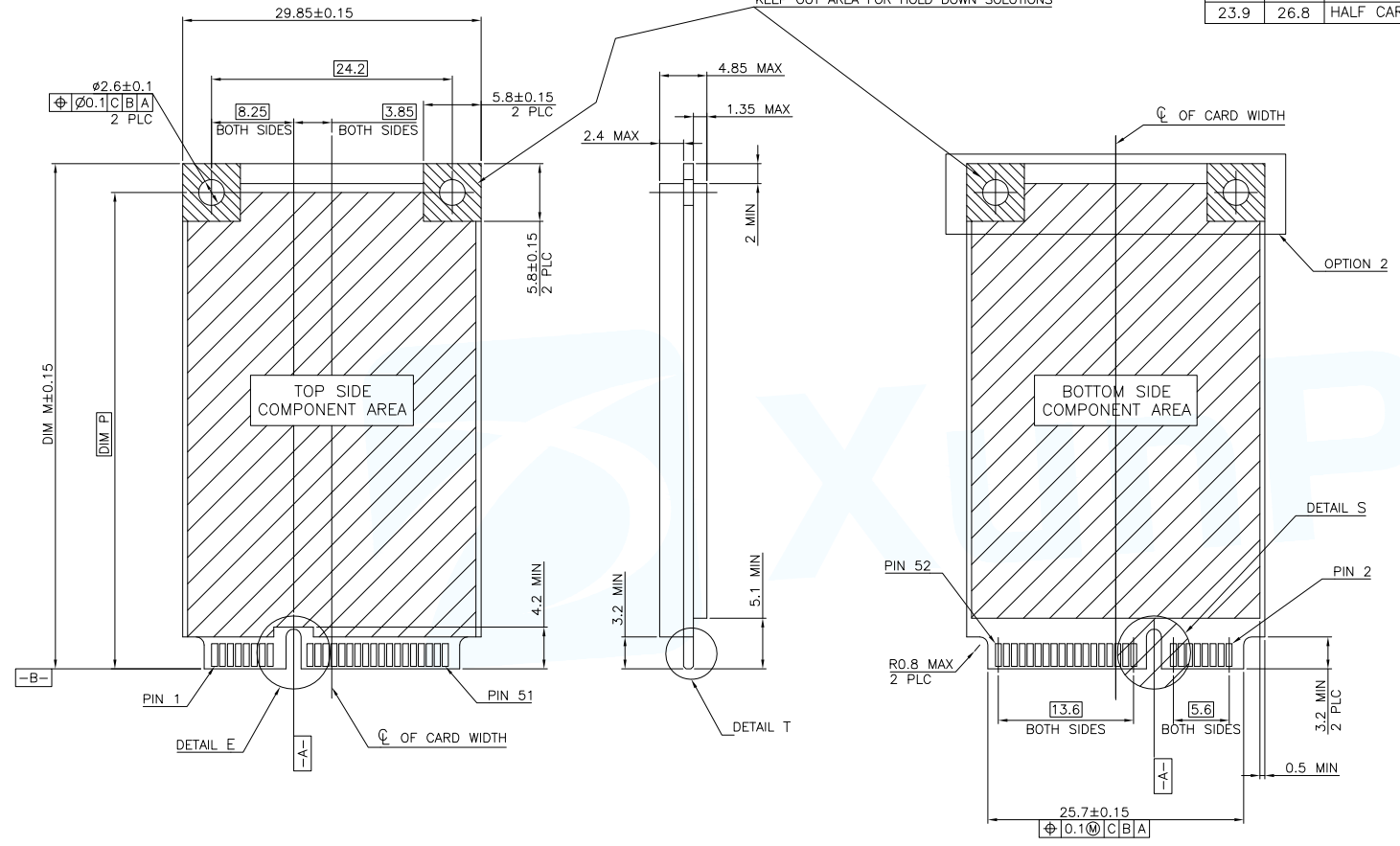


[-D-] IS THE TOP SURFACE OF PCB.
RECOMMENDED P.C. BOARD PATTERN LAYOUT
FOR FULL CARD CONNECTOR
(TOP VIEW)

MANUFACTURE DWG		 东莞市讯普电子科技有限公司 DongGuan XunPu Electronics Co.,Ltd	
UNLESS OTHERWISE SPECIFIED TOLERANCES		TITLE: MINI PCI EXPRESS	
		PAR	PCIE-52PNH
		DWN	KING
		CHKD	2016.06.06
		APVD	
DECIMALS:	ANGLES:	SCALE 1:1	UNIT:MM
.X:±0.25	X'.:±1.5'	SIZE:A4	REV:A
.XX:±0.15	.X':±1.0'	SHEET:1F1	
.XXX:±0.10	.XX':±0.5'	CUSTOMER COPY	

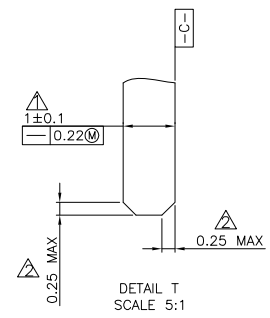
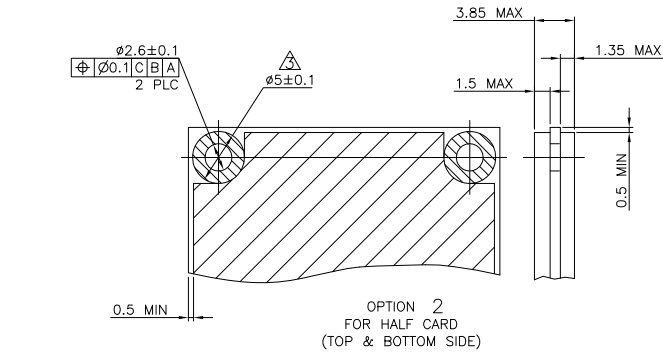
DIM P	DIM M	
48.05	50.8	FULL CARD
23.9	26.8	HALF CARD

COMPONENT AND ROUTING (ALL LAYERS)
KEEP OUT AREA FOR HOLD DOWN SOLUTIONS



- NOTES:
- ⚠ CARD THICKNESS APPLIES ACROSS TABS AND INCLUDES PLATING AND/OR METALLIZATION.
 - ⚠ EDGE BEVEL MUST BE PRESENT AND FREE OF CUTTING BURRS FROM PCB AND CONTACT MATERIALS.
 - ⚠ COMPONENT AND ROUTING (TOP/BOTTOM LAYER) KEEP OUT AREA FOR HOLD DOWN SOLUTIONS.

FOR mSATA



MANUFACTURE DWG		东莞市讯普电子科技有限公司 DongGuan XunPu Electronics Co.,Ltd			
UNLESS OTHERWISE SPECIFIED TOLERANCES			TITLE: MINI PCI EXPRESS		
			PAR	PCIE-52PNH	
			DWN	KING	2016.06.06
			CHKD		
DECIMALS:	ANGLES:	SCALE 1:1		UNIT:MM	
.X:±0.25	.X':±1.5'	SIZE:A4		REV:A	
.XX:±0.15	.X':±1.0'	SHEET:1F1			
.XXX:±0.10	.XX':±0.5'	CUSTOMER COPY			