

## 2.4/5GHz 1608 Diplexer: DPX1608R24554K66

### Applications:

WLAN, 802.11b/g, ISM Band...

### Features

SMD, high reliability, ultra Impact...

### Part number

DPX    1608    R    2455    4K    66  
           (1)    (2)    (3)    (4)    (5)

(1)Size Code	1.6x0.8mm
(2) Packing	Tape and reel
(3) Frequency	2.4/5GHz
(4) Packing Number	4K
(5)Type	66

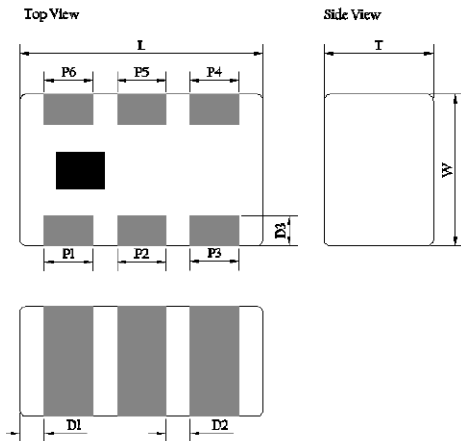
### Electrical Specification

DESCRIPTION	VALUE	
	LOW Band	High Band
Pass Band	2400~2500MHz	4900~6000MHz
Insertion Loss	0.95dB (Max) at 25°C	0.90dB (Max) at 25°C
Return Loss	10.0dB(Min)	10.0dB(Min)
Attenuation	25dB(Min).@700~960MHz 10dB(Min).@960~1300MHz 28dB(Min).@4800~5000MHz 25dB(Min).@7200~7500MHz	30dB(Min).@1200~1500MHz 25dB(Min).@1600~2000MHz 25dB(Min).@2300~2700MHz 15dB(Min).@2700~3000MHz 25dB(Min).@10000~11800MHz 15dB(Min).@15000~17700MHz
Isolation	28dB(Min).@2400~2500MHz 28dB(Min).@4800~5000MHz	
Operating Temperature	-40 ~ +85 °C	

The specification is defined on EVB.

## 2.4/5GHz 1608 Diplexer: DPX1608R24554K66

### Dimension and Terminal Configuration

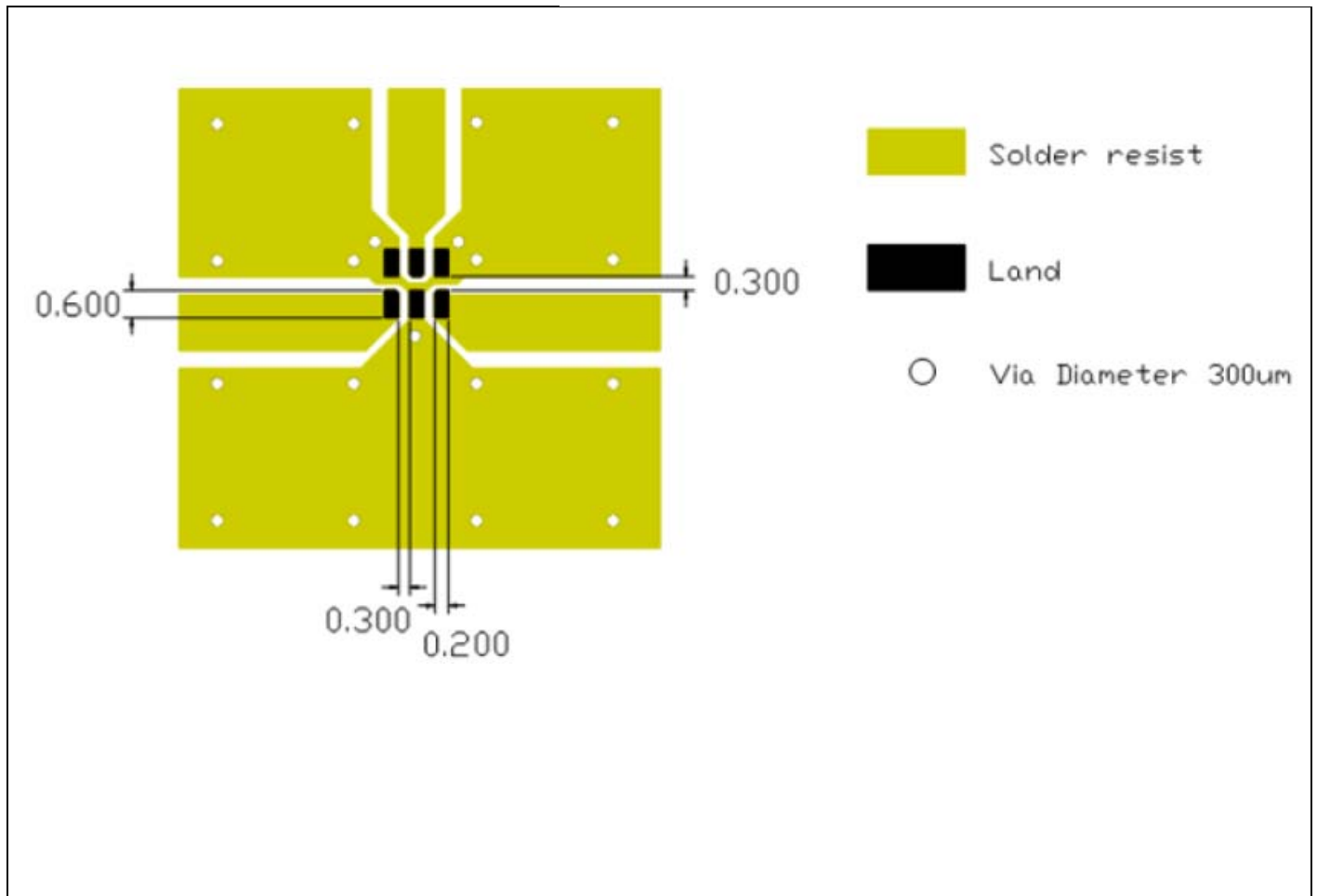


Dimension (mm)	
L (mm)	$1.60 \pm 0.15$
W (mm)	$0.80 \pm 0.15$
T (mm)	$0.60 \pm 0.15$
P1 (mm)	$0.20 \pm 0.15$
P2 (mm)	$0.20 \pm 0.15$
P3 (mm)	$0.20 \pm 0.15$
P4 (mm)	$0.20 \pm 0.15$
P5 (mm)	$0.20 \pm 0.15$
P6 (mm)	$0.20 \pm 0.15$
D1 (mm)	$0.20 \pm 0.15$
D2 (mm)	$0.30 \pm 0.10$
D3 (mm)	$0.15 \pm 0.10$

No.	Terminal Name
P1	High band
P2	GND
P3	Low band
P4	GND
P5	Common
P6	GND

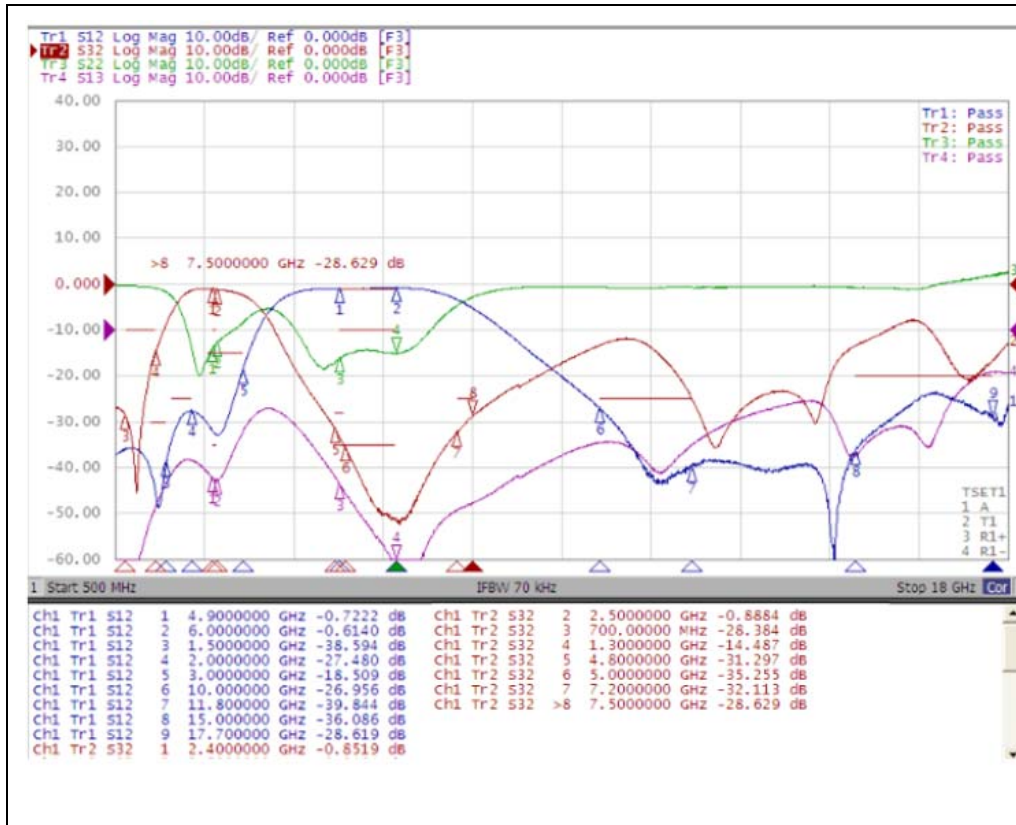
*P.S : Symmetrical,  
No direction*

### Evaluation Board Reference



## 2.4/5GHz 1608 Diplexer: DPX1608R24554K66

### Electrical Characteristics



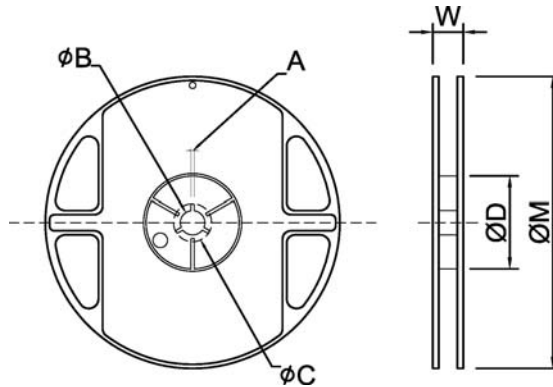
- Measured on Agilent E5071C Network Analyzer
- Common port : Port 2 (Return loss : S22)
- High band port : Port 1 (High band Insertion loss S12, and attenuation at high band)
- Low band port : Port 3 (Low band Insertion loss S32, and attenuation at low band)

## 2.4/5GHz 1608 Diplexer: DPX1608R24554K66

### Taping Specifications

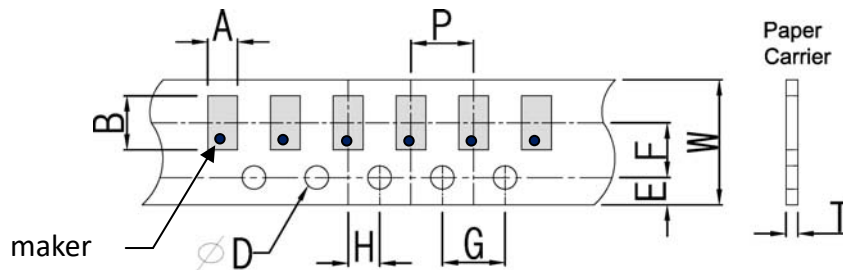
#### Reel and Taping Specification

##### Reel Specification



TYPE	SIZE	A	$\psi B$	$\psi C$	$\psi D$	W	$\psi M$	
1608	7"	4K/Reel	2.0±0.5	13.5±1.0	21±1.0	60±1.0	11.5±2.0	178±2.0

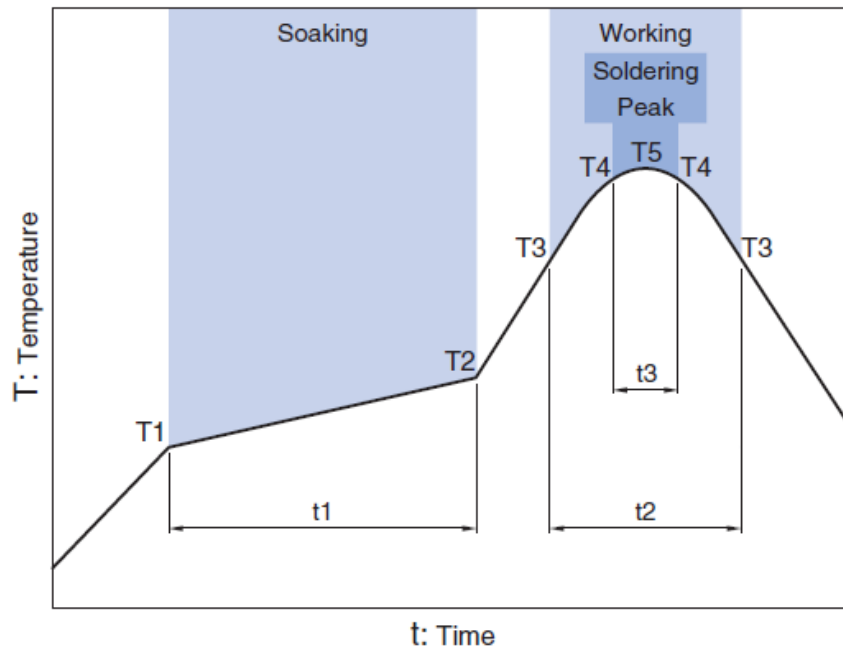
##### Taping Specification



Packaging	Type	A	B	W	E	F	G	H	T	$\psi D$	P
Paper Type	1608	1.40±0.20	2.20±0.20	8.0±0.20	1.75±0.10	3.0±0.05	4.0±0.10	2.0±0.05	0.75±0.10	1.50 +0.10 -0	4.0±0.1

**Recommended Reflow Profile**

Pb free solder



Soaking		Working		Soldering		Peak	
Temp.	Time	Temp.	Time	Temp.	Time	Temp.	
T1	T2	T3	t2	T4	t3	T5	
150°C	180°C	60 to 120sec	230°C	more than 30sec	247 to 253°C	within 10sec	260°C Max.