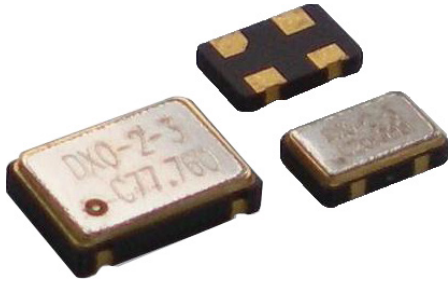


SMD Clock Oscillator

DX057 Series



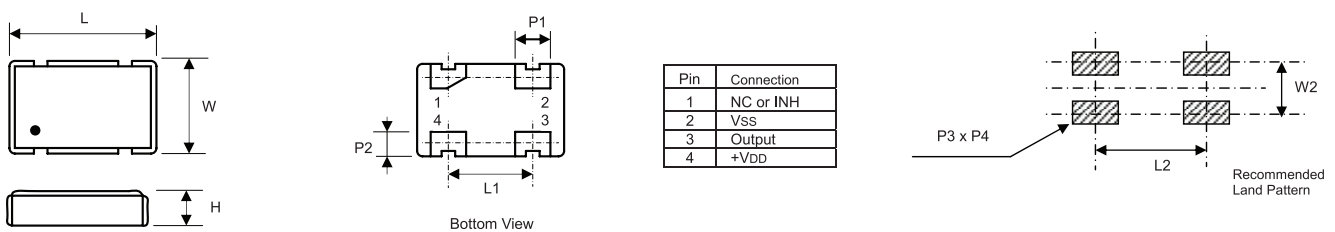
Features

- General microprocessor
- Ultra Thin Ceramic Package
- Cost effective
- Surface mount
- HCMOS/TTL output
- Tri-state option

Specifications

Nominal Frequency Range	: 1.5MHz to 23.99MHz 24MHz to 49.99MHz 50MHz to 80MHz
Frequency Toleration	: ± 50 ppm (Options: ± 25 , ± 100 ppm)
Operating Temperature Range	: 0°C to +70°C
Storage Temperature Range	: -40°C to +85°C
Supply Voltage (VDD)	: 3.3V or 5V $\pm 10\%$
Current Consumption (max.)	: 25mA; 40mA & 50mA
Output Symmetry at 1/2VDD	: 40% to 60% (standard), 45% To 55% tight
Output Load	: 15pF HCMOS or 10TTL
Output Level "L" (max.)	: 10% VDD HCMOS or +0.4V DC TTL
Output Level "H" (min.)	: 90% VDD HCMOS or +2.4VDC TTL
Rise/Fall Time (10%-90% VDD) (max.)	: 10ms
Start up Time (max.)	: 10ms
Stand by Function	: Tri State

Diagram



L	W	H	L1	P1	P2	L2	W2	P3	P4
7 ± 0.15	5 ± 0.15	1.4 ± 0.2	5.08 ± 0.15	1.4 ± 0.1	1.2 ± 0.1	6.4 ± 0.15	3.74 ± 0.15	2.2 ± 0.1	1.4 ± 0.1

Dimensions : Millimetres

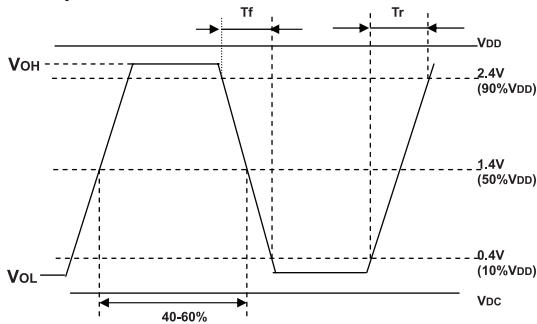
Quartz crystal oscillators house a small 5x7mm package. Choice of 3.3V and 5V supply versions

SMD Clock Oscillator

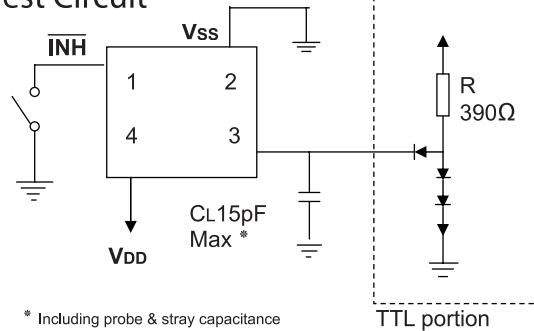
DXO57 Series

multicomp **PRO**

Output Waveform



Test Circuit



Specification Table

Part Number	Frequency (MHz)	Freq. Tol (PPM)	Symmetry	Input Voltage
DXO57-8-50-T-3.3-TS	8	50	T	3.3
DXO57-10-50-T-3.3-TS	10			
DXO57-50-50-T-3.3-TS	50			
DXO57-60-50-T-3.3-TS	60			
DXO57-100-50-T-3.3-TS	100			

Important Notice : This data sheet and its contents (the "Information") belong to the members of the AVNET group of companies (the "Group") or are licensed to it. No licence is granted for the use of it other than for information purposes in connection with the products to which it relates. No licence of any intellectual property rights is granted. The Information is subject to change without notice and replaces all data sheets previously supplied. The Information supplied is believed to be accurate but the Group assumes no responsibility for its accuracy or completeness, any error in or omission from it or for any use made of it. Users of this data sheet should check for themselves the Information and the suitability of the products for their purpose and not make any assumptions based on information included or omitted. Liability for loss or damage resulting from any reliance on the Information or use of it (including liability resulting from negligence or where the Group was aware of the possibility of such loss or damage arising) is excluded. This will not operate to limit or restrict the Group's liability for death or personal injury resulting from its negligence. Multicomp Pro is the registered trademark of Premier Farnell Limited 2019.

Newark.com/multicomp-pro
 Farnell.com/multicomp-pro
 sg.element14.com/b/multicomp-pro

multicomp **PRO**