

REV.	MODIFICATION	DATE	DRAW
A	INITIAL RELEASE	2013.07.25	Coco

HALOGEN FREE LEAD FREE

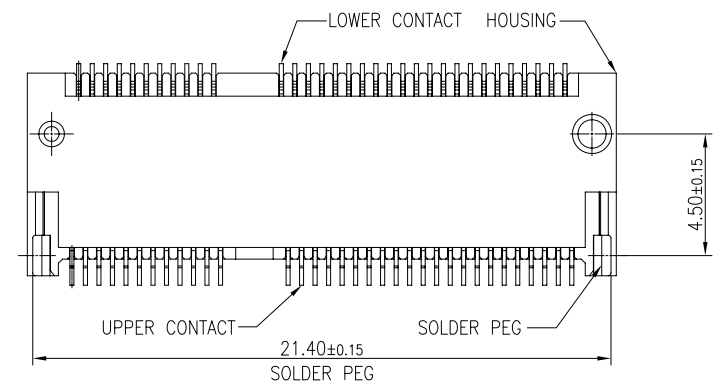
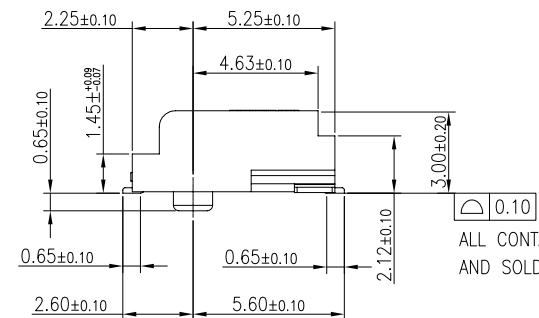
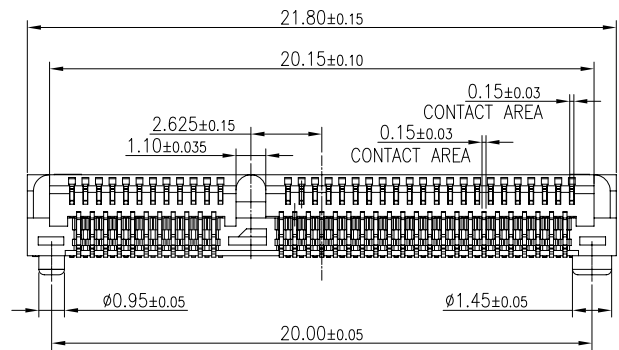
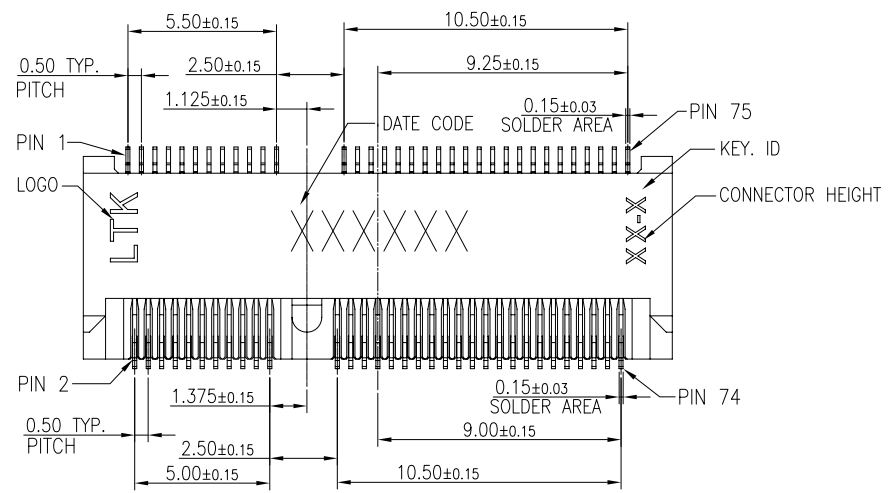
- NOTES:
- MATERIAL: HOUSING: THERMOPLASTIC, BLACK COLOR, FLAME RESISTANCE UL94-V0. CONTACT: COPPER ALLOY. SOLDER PEGS: COPPER ALLOY
 - FINISHED: CONTACTS: GOLD PLATING ON CONTACT AREA.(SEE P/N) 1u~3u" Au ON THE SOLDER AREA. 50~150u" NICKEL PLATING OVER ALL. SOLDER PEGS: 50~150u" MATTE TIN PLATING OVER ALL. 50~150u" NICKEL UNDER PLATED OVER ALL.
 - MSL LEVEL: MSL(MOISTURE SENSIVITY LEVEL)=1.
 - PART NUMBER: NXSE0-S67XX-XXH4

F: REEL W:32.0mm
A: REEL W:44.0mm

XX: CONTACT AREA
H4: 3.00mm

PACKING
TR:TRAY
TP:TAPE REEL
TS:TAPE REEL
(REVERSE DIRECTION)

01:Gold Flash
05:5U" Min.
10:10U"Min.
15:15U"Min.
20:20U"Min.
30:30U"Min.

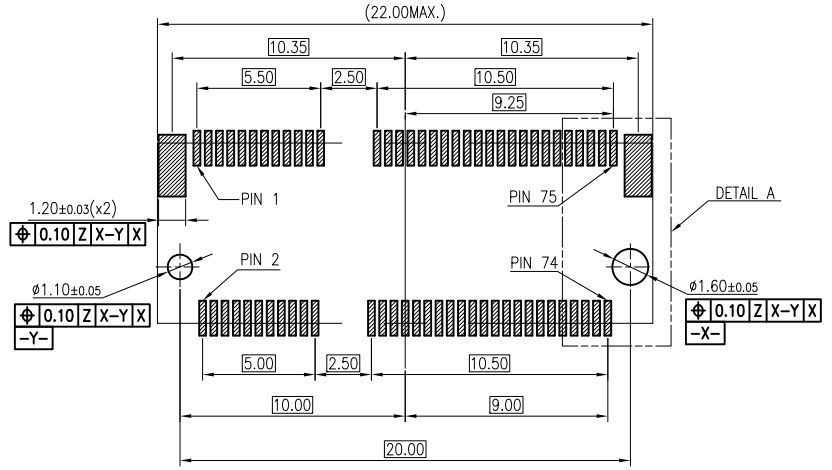


LINKTEK

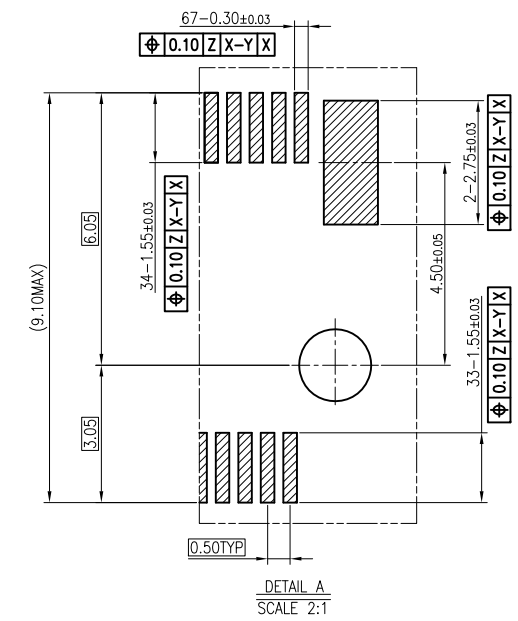
DIMENSION IN mm [Inch]		PROD. SPEC. SP-NFXXXL1	ARGOSY RESEARCH INC.	
TOLERANCE UNLESS OTHERWISE SPECIFIED		PKG. SPEC. N/A		
.X±0.35	X.*±1*	APR. Tony 2013.07.25	TITLE: M.2(NGFF) CARD CONNECTOR E KEY 3.0H	
.XX±0.25	.X.*±	CHK. Andy 2013.07.25	FILE NO. ARG-156	DWG NO. NXSE0-S67XX-XXH4
.XXX±	.XX.*±	DRA. Coco 2013.07.25	CUSTOMER DRAWING	
SIZE A4	SCALE 1:1	SHEET 1/3	REV. A	C

REV.	MODIFICATION	DATE	DRAW
A	INITIAL RELEASE	2013.07.25	Coco

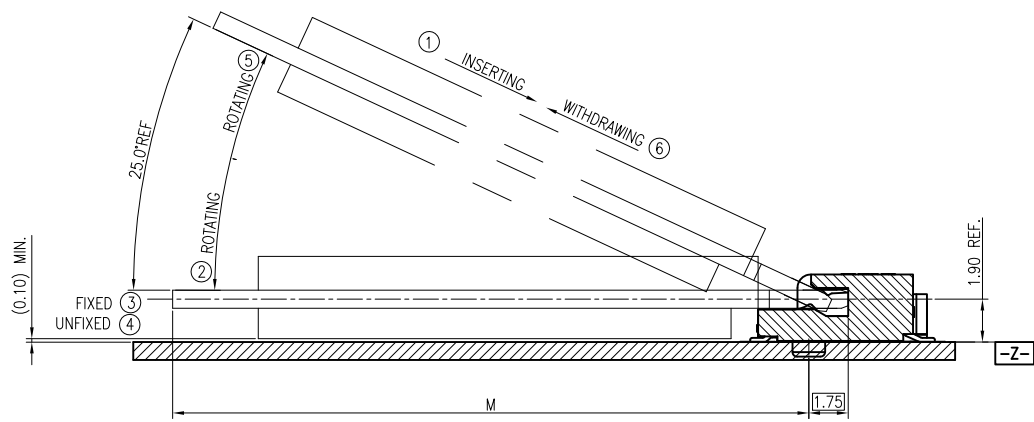
HALOGEN FREE LEAD FREE



RECOMMEND PCB LAYOUT(TOP VIEW)
(DEFAULT TOLERANCE:±0.05mm)



DETAIL A
SCALE 2:1



HOW TO MATE AND UNMATE

MATE: ① INSERTING → ② ROTATING → ③ FIXED

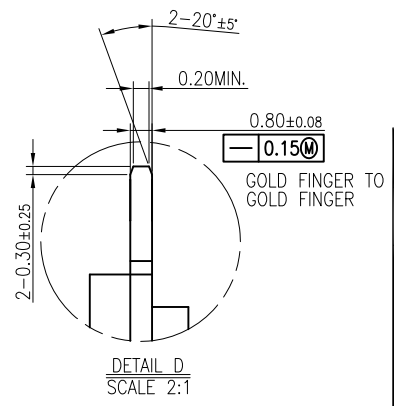
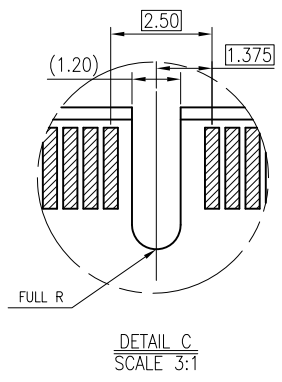
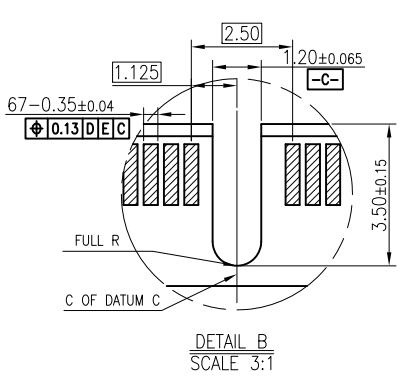
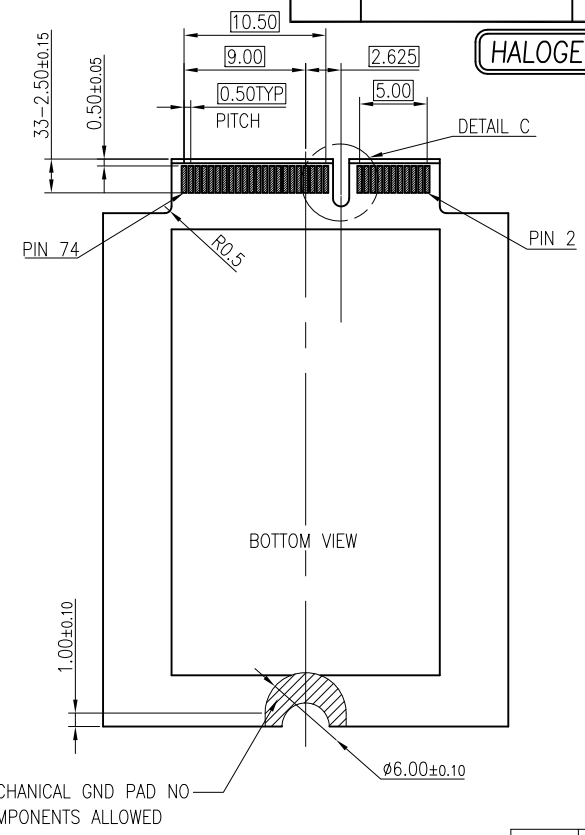
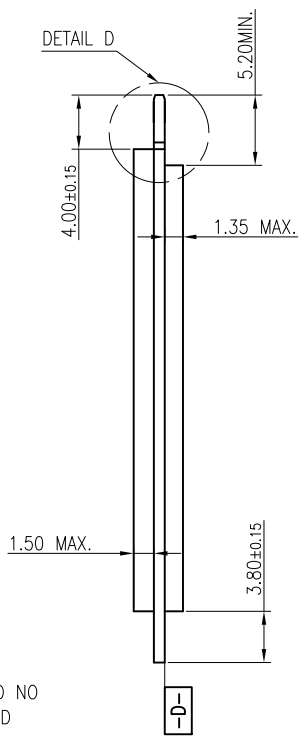
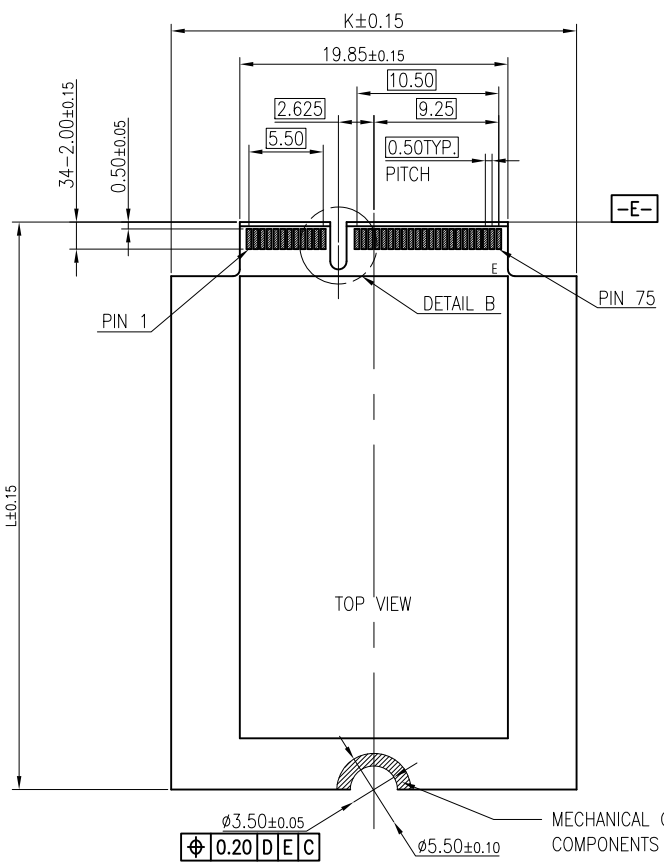
UNMATING: ④ UNFIXED → ⑤ ROTATING → ⑥ WITHDRAWING

LINKTEK

DIMENSION IN mm [Inch]		PROD. SPEC. SP-NFXXXL1	ARGOSY RESEARCH INC.	
TOLERANCE UNLESS OTHERWISE SPECIFIED		PKG. SPEC. N/A		
.X±0.35	X.*± 1*	APR. Tony 2013.07.25	TITLE: M.2(NGFF) CARD CONNECTOR E KEY 3.0H	
.XX±0.25	.X.*±	CHK. Andy 2013.07.25	FILE NO. ARG-156	DWG NO. NXSE0-S67XX-XXH4
.XXX±	.XX.*±	DRA. Coco 2013.07.25	CUSTOMER DRAWING	
SIZE A4	SCALE 1:1	SHEET 2/3	REV. A	C

REV.	MODIFICATION	DATE	DRAW
A	INITIAL RELEASE	2013.07.25	Coco

HALOGEN FREE LEAD FREE



30.00	110.00	108.25
	80.00	78.25
22.00	60.00	58.25
	42.00	40.25
	30.00	28.25
DIM. K	DIM. L	DIM. M

LINKTEK

DIMENSION IN mm [Inch]		PROD. SPEC. SP-NFXXXL1
TOLERANCE UNLESS OTHERWISE SPECIFIED		PKG. SPEC. N/A
.X±0.35	X:± 1*	APR. Tony 2013.07.25
.XX±0.25	.X*±	CHK. Andy 2013.07.25
.XXX±	.XX*±	DRA. Coco 2013.07.25

ARGOSY RESEARCH INC.

TITLE: M.2(NGFF) CARD CONNECTOR E KEY 3.0H

FILE NO. ARG-156 DWG NO. NXSE0-S67XX-XXH4

PROJ. CUSTOMER DRAWING

SIZE A4 SCALE 1:1 SHEET 3/3 REV. A C