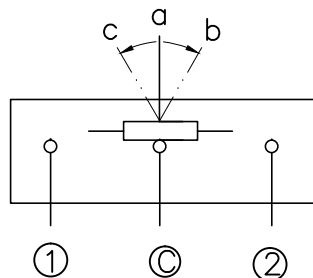
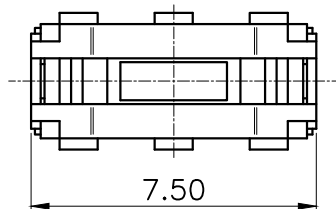
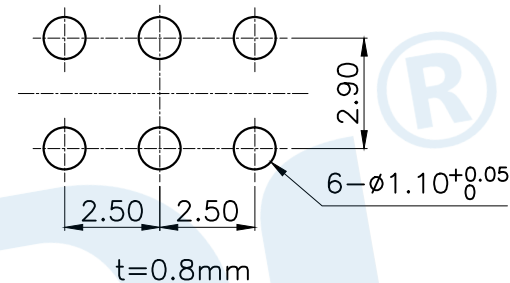


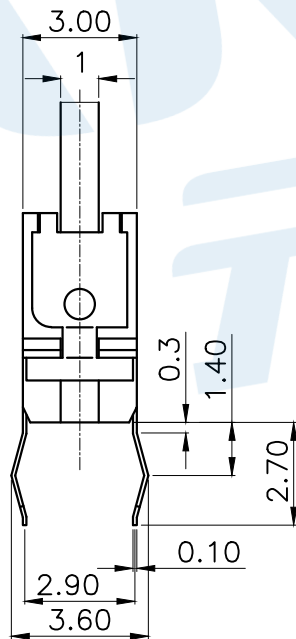
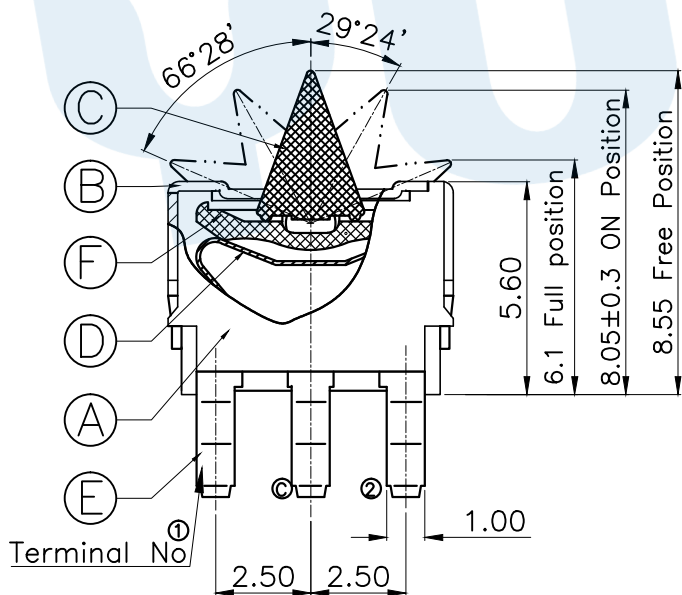
RoHS



Circuit Diagram



PCB Layout(Pattern side)



Technical Parameters

1. Rated current: DC 5V 10mA
2. Operating force: 25±10gf
3. Mechanical life: 100,000 times

NO.	Name	Number	Qty	Materil	Remarks
ⓕ	Frisket		1	PA46	Black
ⓔ	Terminal		6	Phosphor bronze	Silvering
ⓓ	Contact Reed		1	Be alloy	Silvering
ⓒ	Button		1	PA46	Black
ⓑ	Cover		1	SUS	Natural
Ⓐ	Base		1	PA46	Black

YUANDI® Yuandi Electronics Co, Ltd

design	date	name	DETECTION SWITCH
Review	date	model	TQ-2519B
Approved	date		

Drawing number: Proportion 1:1 unit mm gage number A4

modify Review Approved Tolerance not specified

angle	±2'
10~30	±0.30
5~10	±0.20
~ 5	±0.10