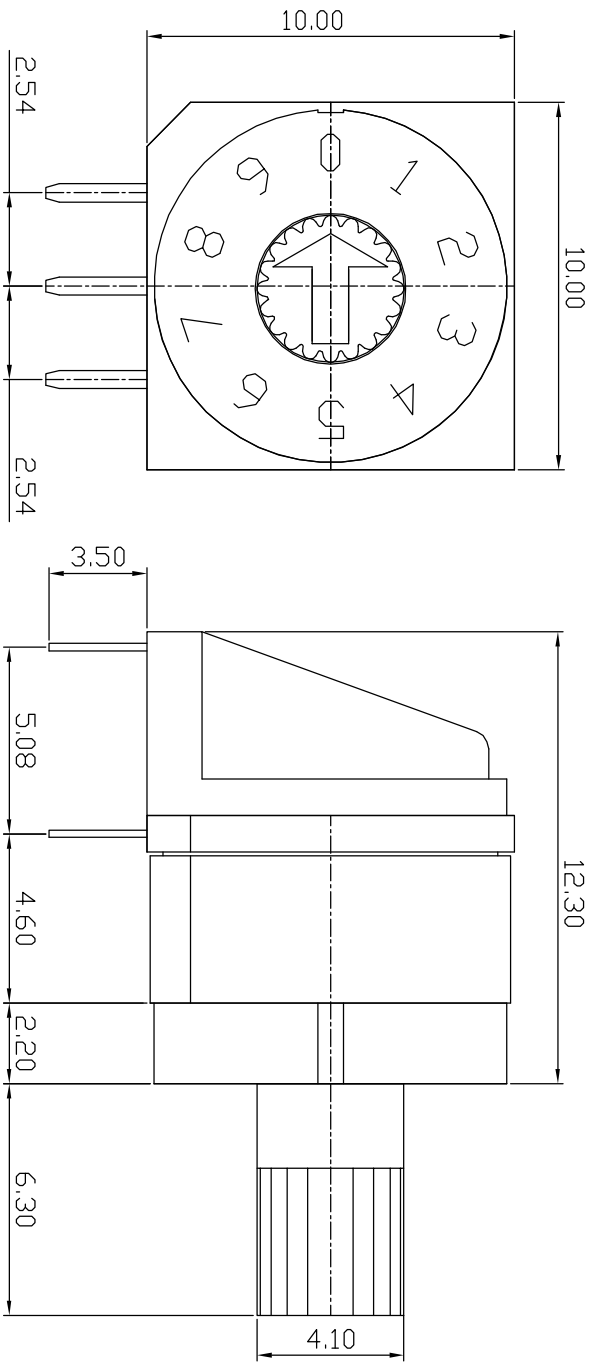
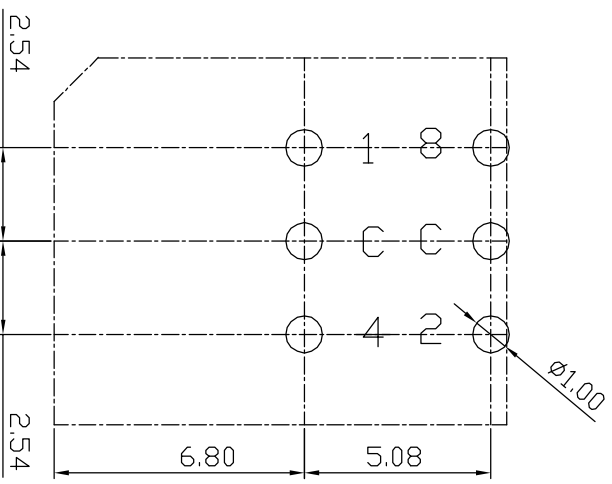


HRK	DATE	REMARKS
Δ		
Δ		



SPECIFICATION

1. Rating : 150mA, 42V DC (Switching)
200mA, 42V DC (None-Switching)
2. Contact Resistance : 80mΩ Max
3. Insulation Resistance : 100MΩ Min
4. Operating Force : 700gf Max
5. Life cycle : 10,000 steps



P.C.B DIMENSION

		Real Code				
		C	1	2	4	8
0	●	●		●		
1	●	●	●			
2	●	●		●		
3	●	●	●			
4	●	●		●	●	
5	●	●	●			
6	●	●		●	●	
7	●	●	●			
8	●	●		●		●
9	●	●	●			
A	●	●		●		●
B	●	●	●			●
C	●	●		●	●	●
D	●	●	●			●
E	●	●		●		●
F	●	●	●			●

APPD	CHKD	D'SGD	TITLE	REV
K.L LEE	J.P ROH	J.S SIN	ROTARY DIP SWITCH	A
			MODEL NO.	
			TSR-10H	
SUNGJUN ELECTRONICS CO., LTD.				