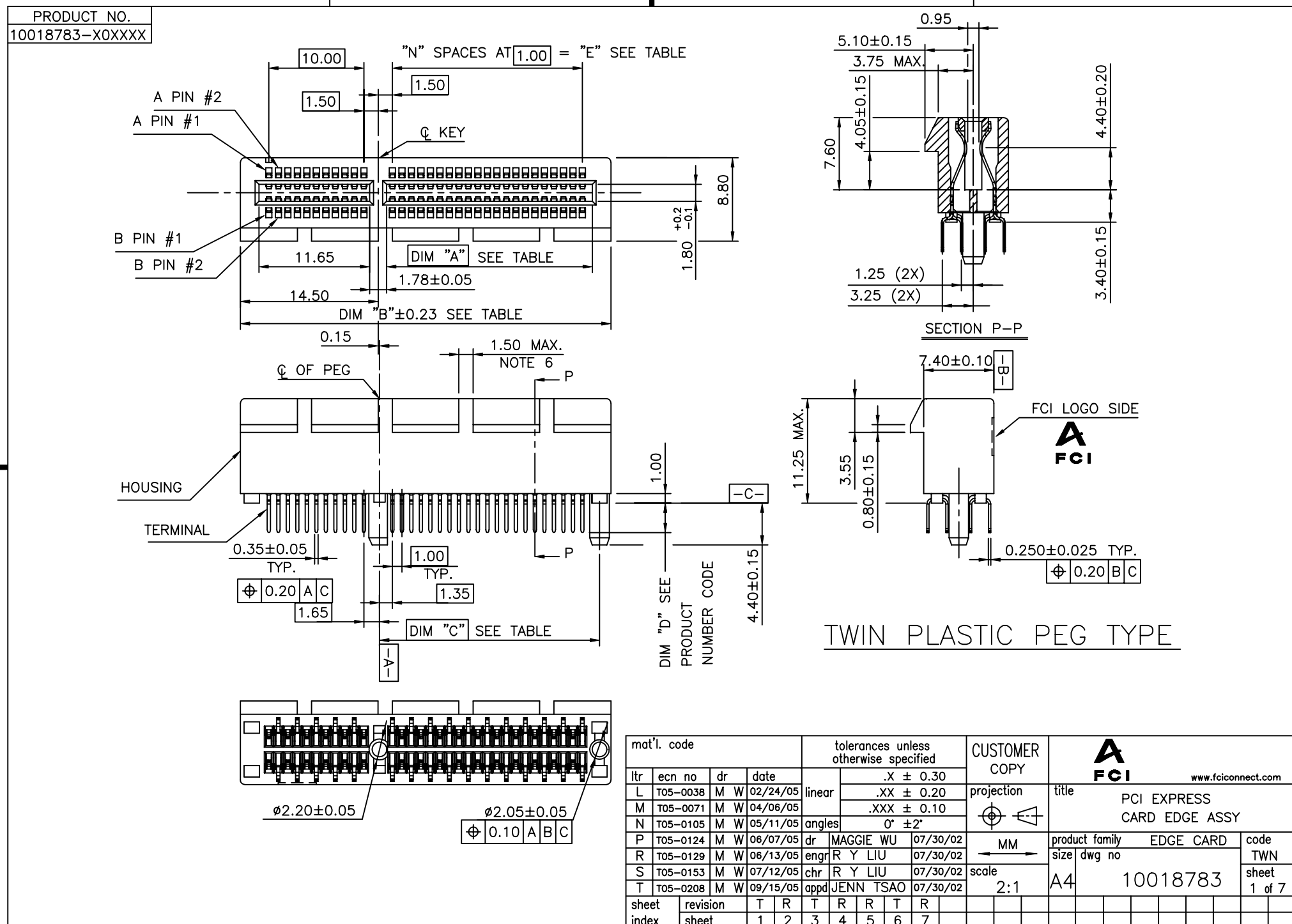


Tous droits strictement réservés. Reproduction ou communication a des tiers interdite sous quelque forme que ce soit sans autorisation écrite du propriétaire. Propriété de c FCI. Droits de reproduction FCI.

All rights strictly reserved. Reproduction or issue to third parties in any form whatever is not permitted without written authority from the proprietor. Property of FCI. Copyright FCI.

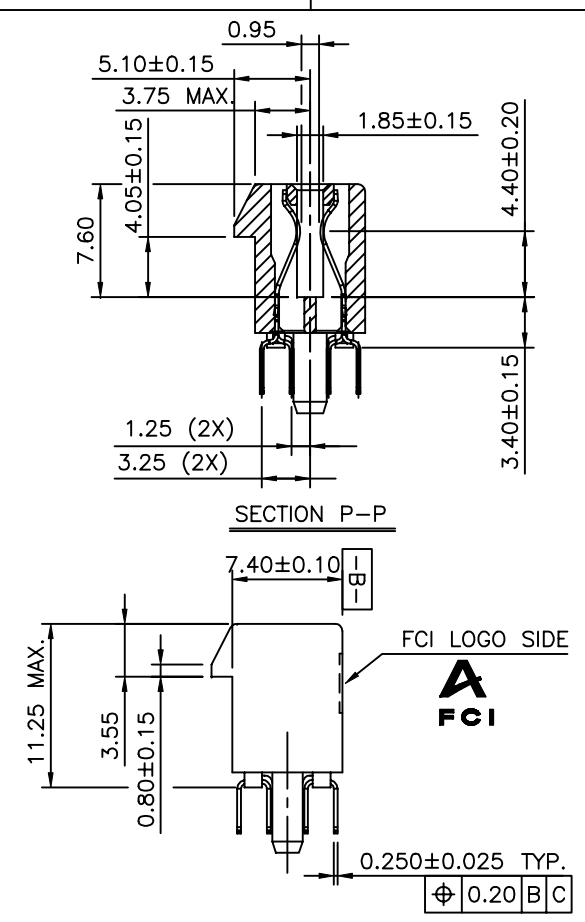
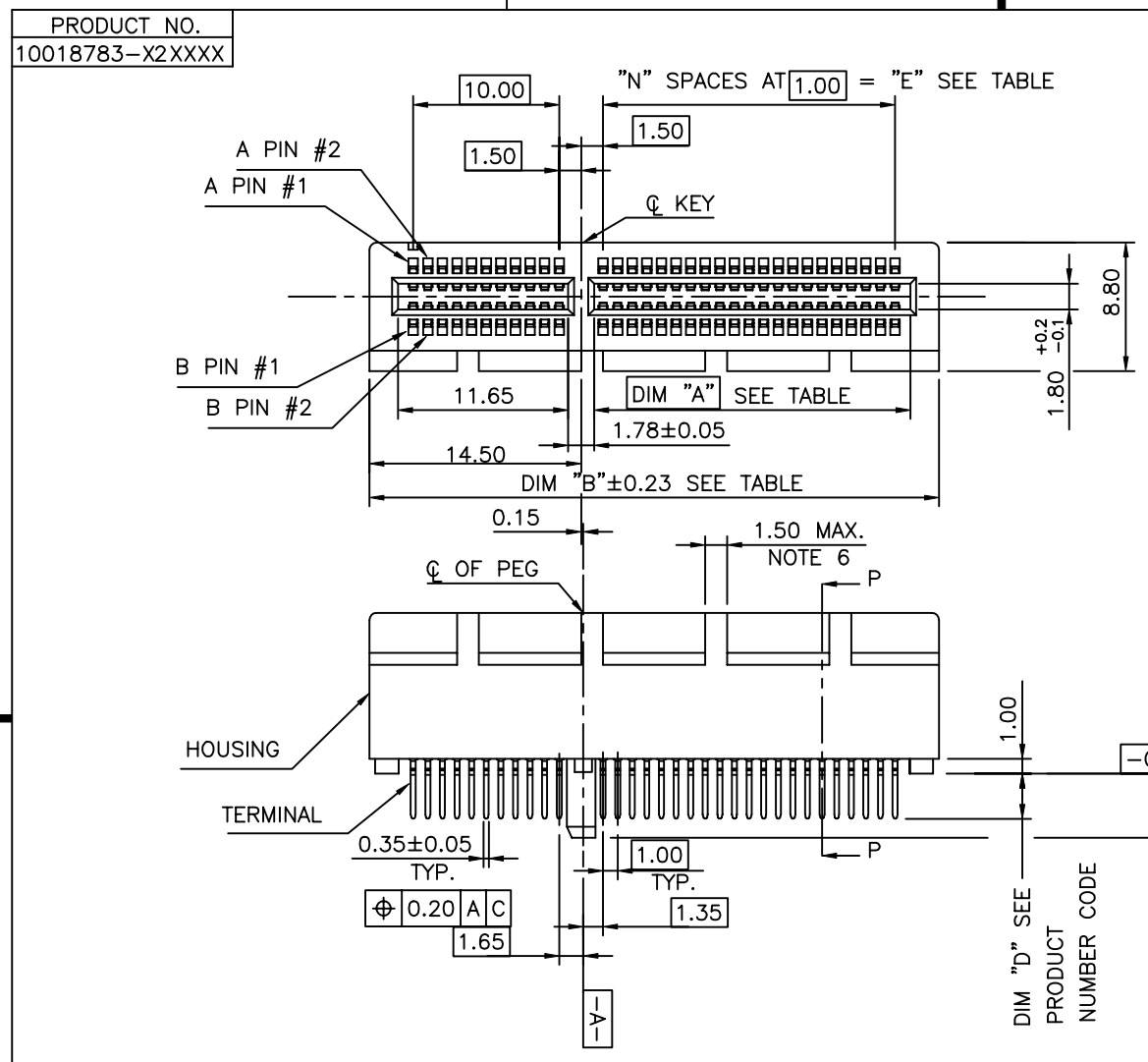


TWIN PLASTIC PEG TYPE

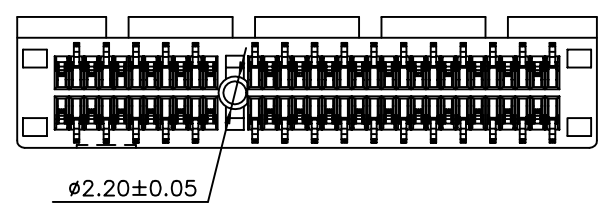
| | | | | | | | | | | | | | |
|-------------|----------|-----|----------|---------------------------------------|-------------|----------|------------------------|---------------|----------------|-------------------------------|-----------|------|--------|
| mat'l. code | | | | tolerances unless otherwise specified | | | | CUSTOMER COPY | | www.fciconnect.com | | | |
| ltr | ecn no | dr | date | linear | .X ± 0.30 | | projection | title | | PCI EXPRESS CARD EDGE ASSY | | | |
| M | T05-0038 | M W | 02/24/05 | | .XX ± 0.20 | | | | | | | | |
| M | T05-0071 | M W | 04/06/05 | | .XXX ± 0.10 | | | | | | | | |
| N | T05-0105 | M W | 05/11/05 | angles | 0° ± 2° | | MM scale 2:1 | | product family | | EDGE CARD | code | |
| P | T05-0124 | M W | 06/07/05 | dr | MAGGIE WU | 07/30/02 | | | size | | dwg no | | TWN |
| R | T05-0129 | M W | 06/13/05 | engr | R Y LIU | 07/30/02 | | | 10018783 | | sheet | | 1 of 7 |
| S | T05-0153 | M W | 07/12/05 | chr | R Y LIU | 07/30/02 | | | A4 | | 10018783 | | |
| T | T05-0208 | M W | 09/15/05 | appd | JENN TSAO | 07/30/02 | | | | | | | |
| sheet index | revision | T | R | T | R | R | T | R | cage code | | 4 | | |
| | sheet | 1 | 2 | 3 | 4 | 5 | 6 | 7 | 22526 | | 4 | | |

Tous droits strictement réservés. Reproduction ou communication a des tiers interdite sous quelque forme que ce soit sans autorisation écrite du propriétaire. Propriété de c FCI. Droits de reproduction FCI.

All rights strictly reserved. Reproduction or issue to third parties in any form whatever is not permitted without written authority from the proprietor. Property of FCI. Copyright FCI.



SINGLE PLASTIC PEG TYPE

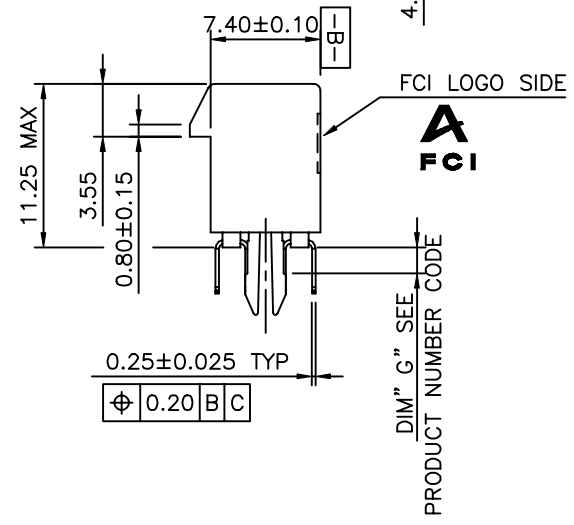
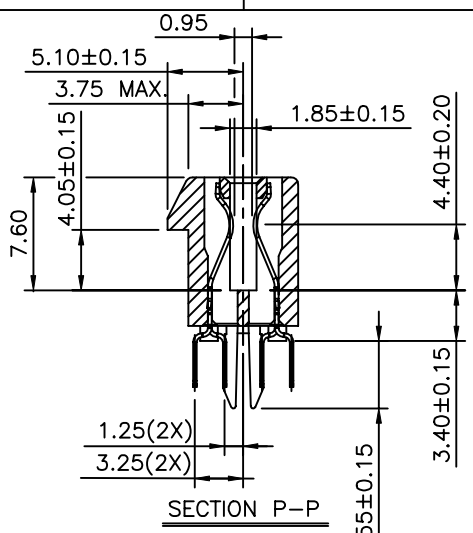
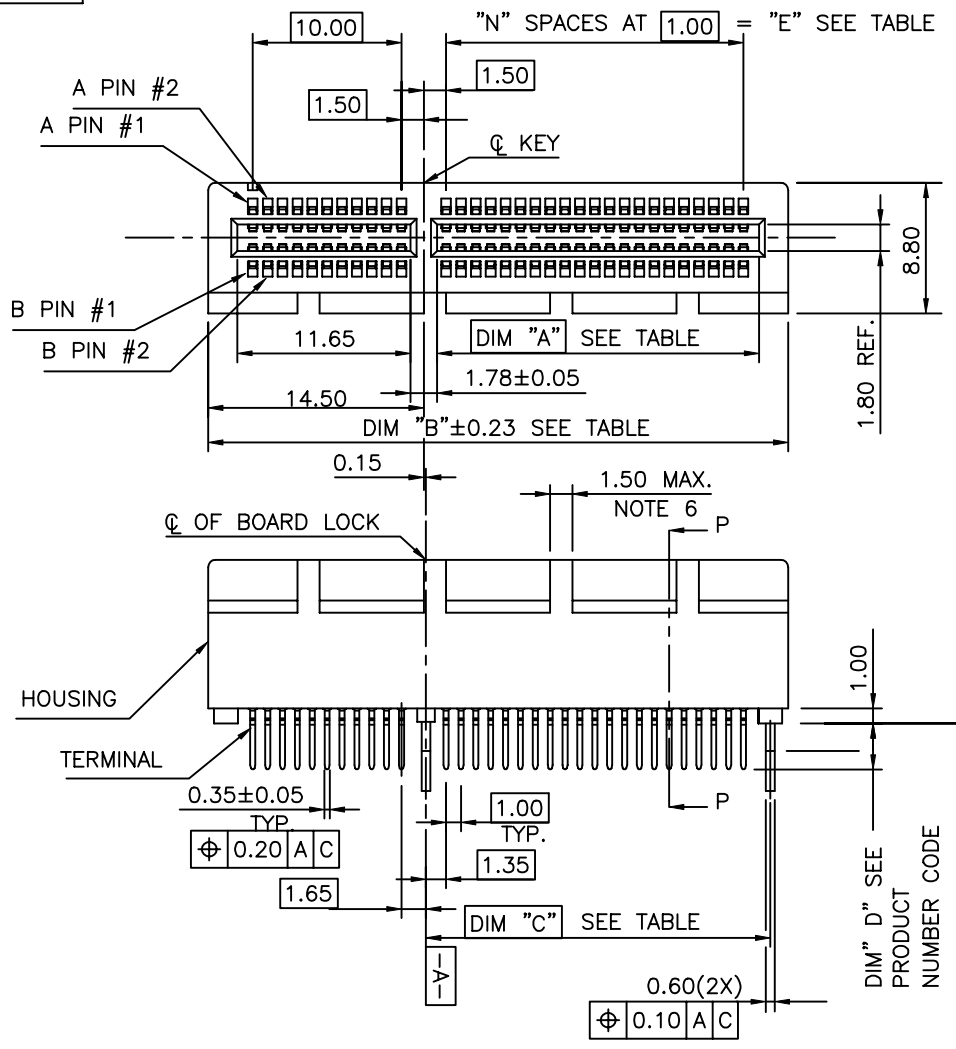


| | | | | | | | | | | | |
|-------------|----------------|----|------|---------------------------------------|-------------|----------|------------|----------------------------|--|------------------------|-------|
| mat'l. code | | | | tolerances unless otherwise specified | | | | CUSTOMER COPY | | www.fciconnect.com | |
| ltr | ecn no | dr | date | linear | .X ± 0.30 | | projection | title | | | |
| R | | | | | .XX ± 0.20 | | | PCI EXPRESS CARD EDGE ASSY | | | |
| | | | | angles | .XXX ± 0.10 | | MM | product family | | EDGE CARD | |
| | | | | | 0° ±2° | | | size | | dwg no | |
| | | | | dr | MAGGIE WU | 07/30/02 | scale | A4 | | 10018783 | |
| | | | | engr | R Y LIU | 07/30/02 | | 2:1 | | | code |
| | | | | chr | R Y LIU | 07/30/02 | | | | | TWN |
| | | | | appd | JENN TSAO | 07/30/02 | | | | | sheet |
| sheet index | revision sheet | | | | | | | | | | 2 of |

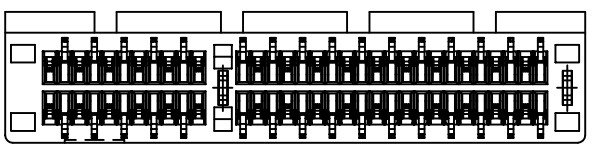
Tous droits strictement reserves. Reproduction ou communication a des tiers interdite sous quelque forme que ce soit sans autorisation ecrite du proprietaire. Propriete de c FCI. Droits de reproduction FCI.

All rights strictly reserved. Reproduction or issue to third parties in any form whatever is not permitted without written authority from the proprietor. Property of FCI. Copyright FCI.

PRODUCT NO.
10018783-X1XXXX



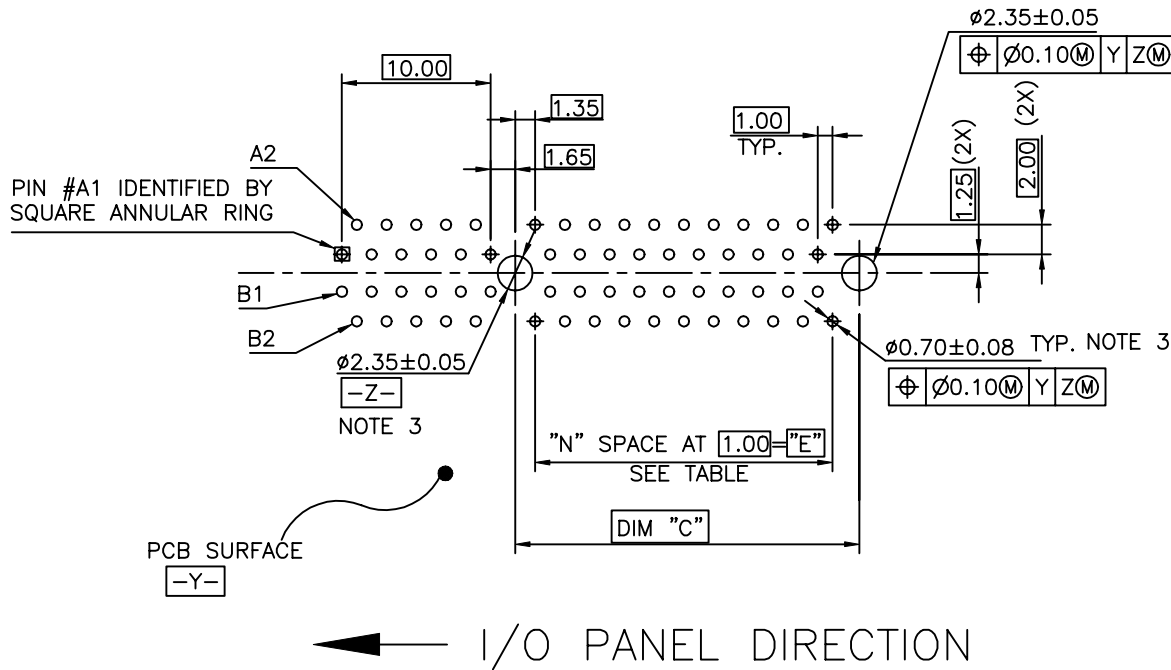
METAL BOARD LOCKS TYPE




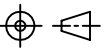
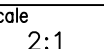
| | | | | | | | | | |
|-------------|----------------|----|------|---------------------------------------|--------------------|---------------|----------------------------|------------------------|-------|
| mat'l. code | | | | tolerances unless otherwise specified | | CUSTOMER COPY | | www.fciconnect.com | |
| ltr | ecn no | dr | date | linear | .X ± 0.30 | projection | title | | |
| T | | | | | .XX ± 0.20 | | PCI EXPRESS CARD EDGE ASSY | | |
| | | | | angles | .XXX ± 0.10 | MM | product family | EDGE CARD | code |
| | | | | dr | 0° ± 2° | | size | dwg no | TWN |
| | | | | engr | MAGGIE WU 07/30/02 | scale | 10018783 | | sheet |
| | | | | chr | R Y LIU 07/30/02 | | 2:1 | 3 of | |
| | | | | appd | JENN TSAO 07/30/02 | | | | |
| sheet index | revision sheet | | | | | | cage code | 22526 | 4 |

Tous droits strictement reserves. Reproduction ou communication a des tiers interdite sous quelque forme que ce soit sans autorisation ecrite du propriétaire. Propriete de c FCI. Droits de reproduction FCI.

All rights strictly reserved. Reproduction or issue to third parties in any form whatever is not permitted without written authority from the proprietor. Property of FCI. Copyright FCI.

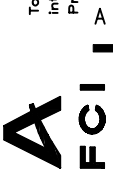


RECOMMENDED FOOTPRINT

| | | | | | | | | | |
|-------------|----------------|----|------|---------------------------------------|--------------------|--|---|---|-------|
| mat'l. code | | | | tolerances unless otherwise specified | | CUSTOMER COPY | |  www.fciconnect.com | |
| ltr | ecn no | dr | date | linear | .X ± | projection | title PCI EXPRESS CARD EDGE ASS'Y | | |
| R | | | | | .XX ± | | | | |
| | | | | | .XXX ± | | | | |
| | | | | angles | 0° ± 2° |  MM | product family | | code |
| | | | | dr | MAGGIE WU 07/30/02 | | EDGE CARD | TWN | |
| | | | | engr | R Y LIU 07/30/02 |  2:1 | size | dwg no | sheet |
| | | | | chr | R Y LIU 07/30/02 | | A4 | 10018783 | |
| | | | | appd | JENN TSAO 07/30/02 | | | | |
| sheet index | revision sheet | | | | | | | | |

Tous droits strictement réservés. Reproduction ou communication a des tiers interdite sous quelque forme que ce soit sans autorisation écrite du propriétaire. Propriete de c FCI. Droits de reproduction FCI.

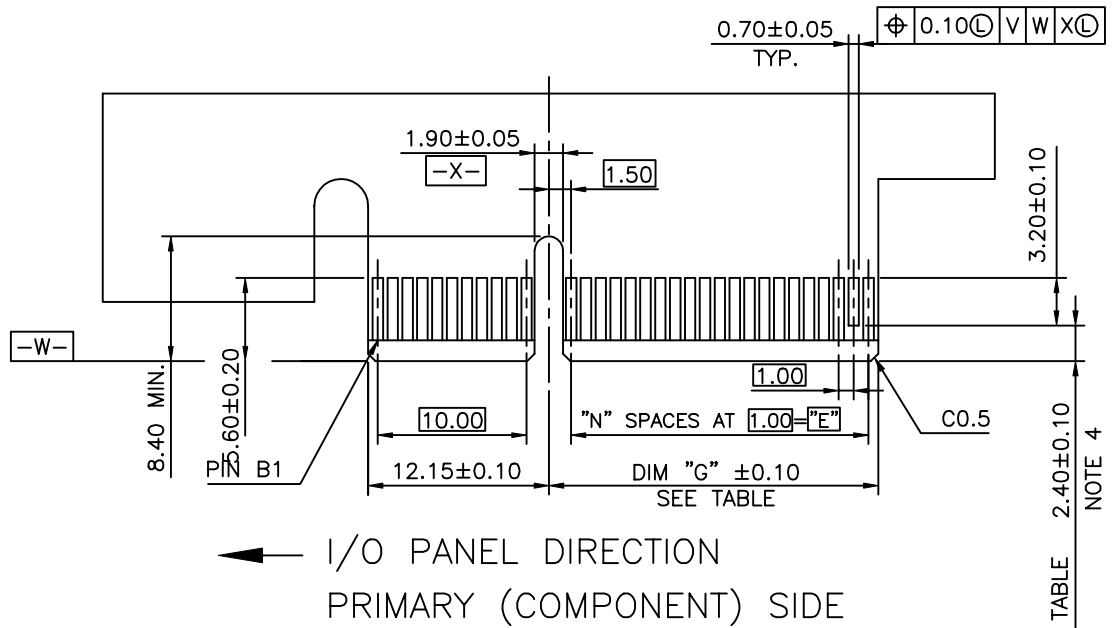
All rights strictly reserved. Reproduction or issue to third parties in any form whatever is not permitted without written authority from the proprietor. Property of FCI. Copyright FCI.



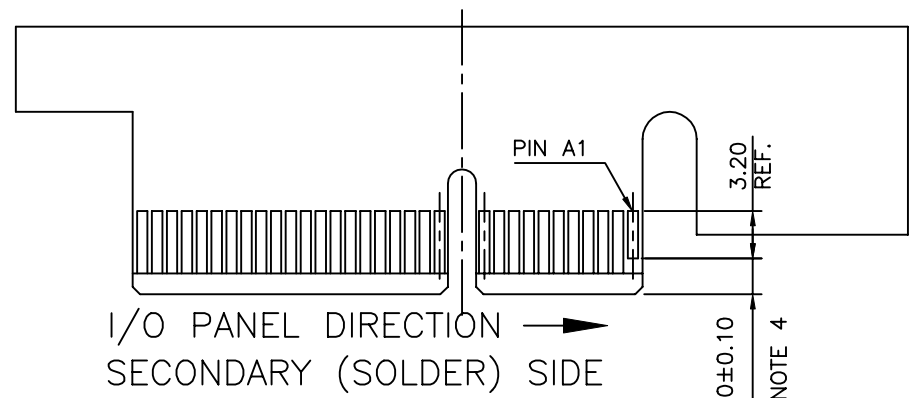
1 | 2

3 |

4



I/O PANEL DIRECTION
PRIMARY (COMPONENT) SIDE

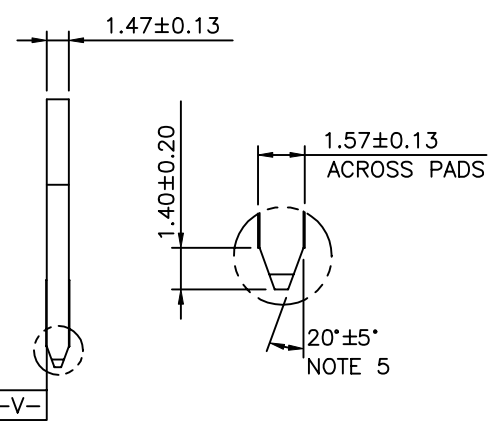


I/O PANEL DIRECTION
SECONDARY (SOLDER) SIDE

| # | POS REF. | N | DIM "G" | "F" |
|-----|----------|----|---------|-----|
| 36 | | 6 | 8.15 | B17 |
| 64 | | 20 | 22.15 | B31 |
| 98 | | 37 | 39.15 | B48 |
| 164 | | 70 | 72.15 | B81 |

PIN "F" SEE TABLE

PIN "F" SEE TABLE



SCALE 2:1

ADD-IN CARD EDGE-FINGER DIMENSIONS

| | | | | | | | | | | | |
|-------------|--------|----------------|------|---------------------------------------|-----------|----------|------------|-----------------------------|--|------------------------|--|
| mat'l. code | | | | tolerances unless otherwise specified | | | | CUSTOMER COPY | | www.fciconnect.com | |
| ltr | ecn no | dr | date | linear | .X ± | | projection | title | | | |
| R | | | | | .XX ± | | | PCI EXPRESS CARD EDGE ASS'Y | | | |
| | | | | angles | .XXX ± | | MM | product family | | EDGE CARD | |
| | | | | | 0° ±2° | | | size | | dwg no | |
| | | | | dr | MAGGIE WU | 07/30/02 | scale | A4 | | 10018783 | |
| | | | | engr | R Y LIU | 07/30/02 | | 2:1 | | TWN | |
| | | | | chr | R Y LIU | 07/30/02 | | | | sheet | |
| | | | | appd | JENN TSAO | 07/30/02 | | | | 5 of | |
| sheet index | | revision sheet | | | | | | | | | |

1 | 2

3 |

4

NOTES:

1.MATERIAL:

HOUSING: HIGH TEMPERATURE NYLON, GLASS FILLED UL94V-0 RATED. SUITABLE FOR REFLOW SOLDERING.

TERMINAL: COPPER ALLOY

PLATING: 50u" NICKEL UNDERPLATE ALL OVER CONTACT AREA PLATING - SEE PRODUCT NUMBER CODE SOLDER TAIL: TIN OR TIN /LEAD(90/10)- SEE PRODUCT NUMBER CODE 100u" MIN. OVER 50u" NICKEL

METAL BOARD LOCKS: COPPER ALLOY FINISH: 100u" TIN OR TIN/LEAD(90/10) OVER 50u" NICKEL UNDERPLATE SEE PRODUCT NUMBER CODE

2.PRODUCT SPECIFICATION: GS-12-233

③THE HORIZONTAL AXIS FOR THE HOLE PATTERN IS ESTABLISHED BY A LINE THROUGH THE CENTER OF THE TWO Ø2.35 HOLES. THE VERTICAL AXIS IS 90° TO THE HORIZONTAL AXIS, THROUGH THE CENTER OF DATUM Z.

④NO TIE BAR PERMITTED FROM CARD EDGE TO LEADING EDGE OF PAD FOR PINS A1 AND PIN NUMBERS "F".

⑤CHAMFER EDGES MUST BE FREE OF CUTTING BURRS.

⑥FREQUENCY & LOCATION AT SUPPLIER DISCRETION. RIDGE MAY BE CONTINUOUS WITH NO BREAKS.

7.RoHS COMPATIBLE PRODUCT SPECIFICATIONS

a - PLATING:

- "LF" MEANS THE PRODUCT IS LEAD-FREE, 2um MINIMUM MATTE TIN OVER 1.27um MINIMUM NICKEL UNDERPLATE.

b - MANUFACTURING PROCESS COMPATIBILITY

- THE HOUSING WILL WITHSTAND EXPOSURE TO 260°C±5°C SOLDER BATH TEMPERATURE FOR 5 SECONDS IN A REFLOW SOLDER APPLICATION WITH A 1.6mm MIN THICK CIRCUIT BOARD.

PRODUCT NUMBER CODE

10018783 -x x x x x x □ □

HOUSING COLOR OPTIONS

- 0-NATURAL
1-BLACK

PEGS OPTIONS

- 0-PLASTIC PEGS
1-METAL BOARD LOCKS
2-SINGLE PLASTIC PEGS

TERMINAL PLATING OPTIONS

- 0-50u" Ni UNDERPLATE
30u" Au CONTACT AREA
100u" TIN TAIL AREA ----- COMPATIBLE RoHS
1-50u" Ni UNDERPLATE
15u" Au CONTACT AREA
100u" TIN TAIL AREA ----- COMPATIBLE RoHS
2-50u" Ni UNDERPLATE
GOLD FLASH CONTACT AREA
100u" TIN TAIL AREA ----- COMPATIBLE RoHS
3-50u" Ni UNDERPLATE
30u" Au CONTACT AREA
100u" TIN/LEAD TAIL AREA ----- INCOMPLIANT RoHS
4-50u" Ni UNDERPLATE
15u" Au CONTACT AREA
100u" TIN/LEAD TAIL AREA ----- INCOMPLIANT RoHS
5-50u" Ni UNDERPLATE
GOLD FLASH CONTACT AREA
100u" TIN/LEAD TAIL AREA ----- INCOMPLIANT RoHS

LEAD FREE OPTION

LEAVE BLANK FOR TERMINAL PLATING 3,4,5 "LF" FOR TERMINAL PLATING OPTION 0,1,2

POS OPTIONS

- 0-36
1-64
2-98
3-164

Table with 7 columns: CONNECTOR, # POS REF., N, DIM "A", DIM "B", DIM "C", "E". Rows include 1 PORT, 4 PORT, 8 PORT, 16 PORT.

PACKAGING OPTIONS

T-TRAY PACKAGING
M-TRAY PACKAGING & MYLAR TAPE FOR PICK-N-PLACE. SEE FIGURE 1

TAIL LENGTH OPTIONS

Table with 4 columns: DIM "D", PCB THICKNESS, BOARD LOCKS DIM "G". Rows 0, 1, 2.

Customer Copy table with columns: mat'l. code, tolerances unless otherwise specified, CUSTOMER COPY, title, product family, size, scale, sheet index, revision sheet.

Vertical text on the left margin: Tous droits strictement reserves. Reproduction ou communication a des tiers interdite sous quelque forme que ce soit sans autorisation écrite du propriétaire. Property of FCI. Copyright FCI.

Tous droits strictement reserves. Reproduction ou communication a des tiers interdite sous quelque forme que ce soit sans autorisation ecrite du proprietaire. Propriete de c FCI. Droits de reproduction FCI.

All rights strictly reserved. Reproduction or issue to third parties in any form whatever is not permitted without written authority from the proprietor. Property of FCI. Copyright FCI.

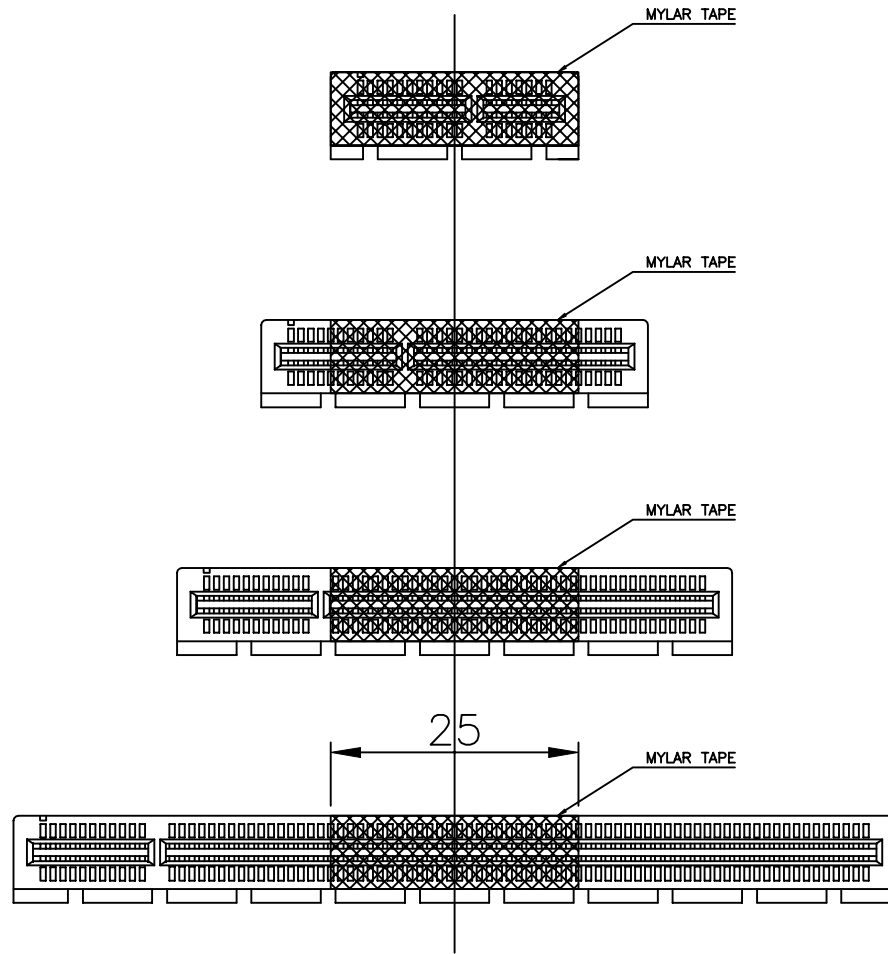

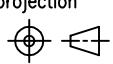
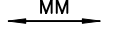


FIGURE 1

| | | | | | | | | | | | |
|-------------|--------|----------------|------|---------------------------------------|-------------|----------|---|---|---|-------|-------|
| mat'l. code | | | | tolerances unless otherwise specified | | | CUSTOMER COPY | |  www.fciconnect.com | | |
| ltr | ecn no | dr | date | linear | .X ± 0.25 | | projection | title PCI EXPRESS CARD EDGE ASS'Y | | | |
| R | | | | | .XX ± 0.13 | | | | | | |
| | | | | angles | .XXX ± 0.05 | |  | product family EDGE CARD | | | |
| | | | | | 0° ± 2° | | | | | | |
| | | | | dr | MAGGIE WU | 06/07/05 |  MM | size | | code | |
| | | | | enfr | R Y LIU | 06/07/05 | | dwg no | | TWN | |
| | | | | chr | R Y LIU | 06/07/05 | scale | A4 | | sheet | |
| | | | | appd | JENN TSAO | 06/07/05 | | | | | 1.5:1 |
| sheet index | | revision sheet | | | | | | | | | |