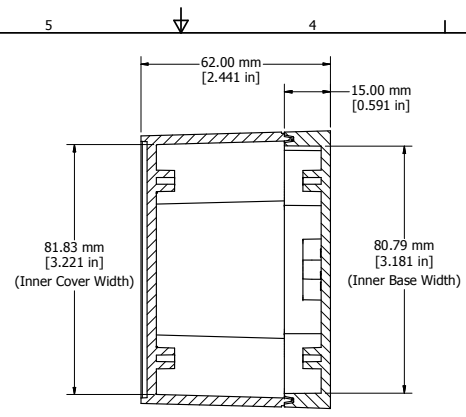
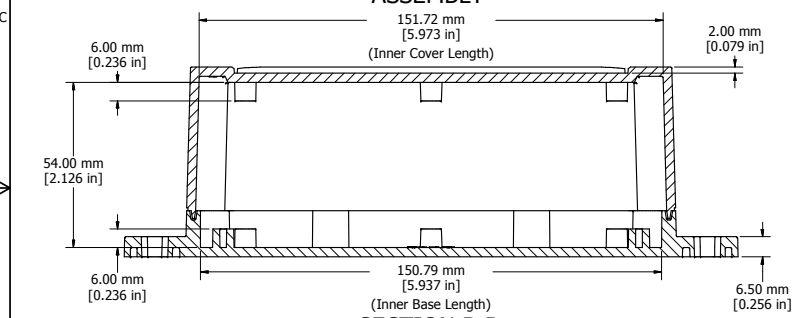
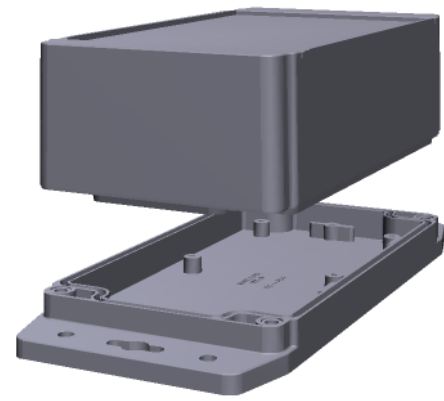


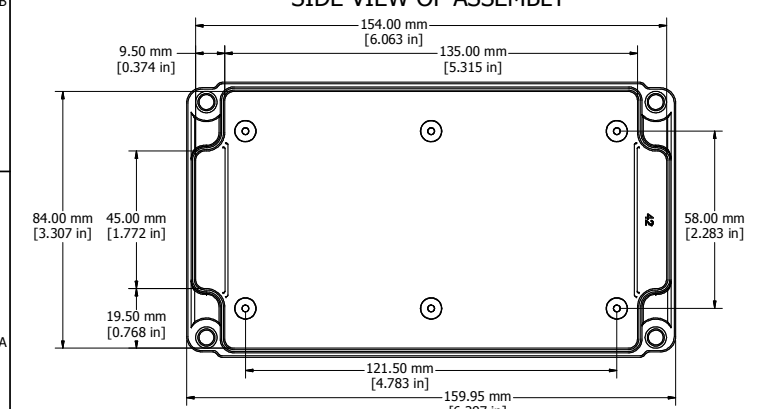
ASSEMBLY



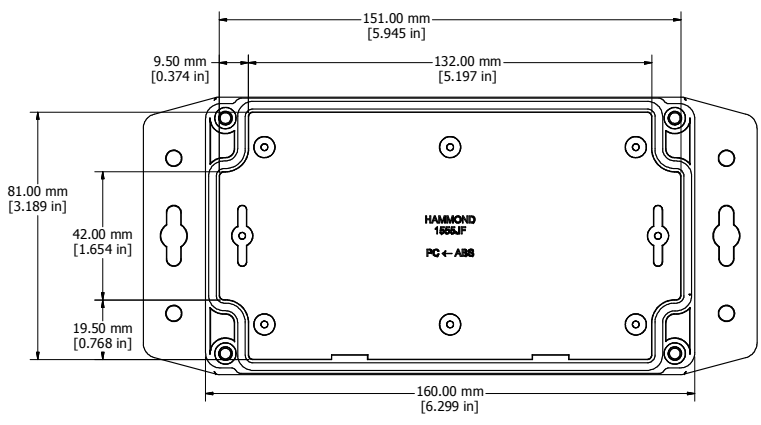
SECTION A-A
END VIEW OF ASSEMBLY



SECTION B-B
SIDE VIEW OF ASSEMBLY



COVER - INSIDE



BASE - INSIDE

Enclosures can be Factory Modified (Milling, Drilling, Printing etc.)
Solid models of this enclosure available in STEP or IGES.
Contact Factory mjm@hammondmg.com

NOTE	
Purchased assembly includes Box, Lid, 4 x M4 x 20 SS Cover Screws & Preformed Silicone Gasket	
Cover screws should be torqued to 2.5 lbf-in (30 cN-m)	

1555JF42	
1555JF42 Flanged Enclosure	
General Purpose ABS RAL-7035 UL94-HB	1555JF42GY
Poycarbonate RAL-7035 UL94 - V0 / 5VA @ 3mm	1555J2F42GY
ACCESSORIES	
Heavy Duty 16 Gauge Galvanized Steel Panels	1555JFPL
Steel Panel / P.C. Board Self Tapping Screw [#6 X 1/4" (6.4mm) Nickel Plated]	1598ATS100
Cover Screws (Pkg 4) [M4 X 20mm Type 304 Stainless Steel]	SC1554

