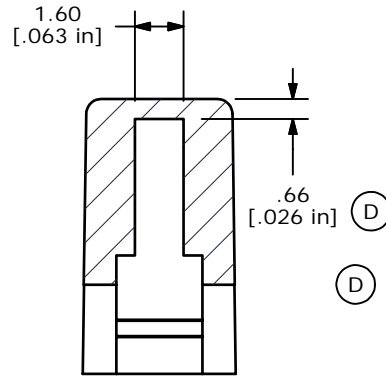
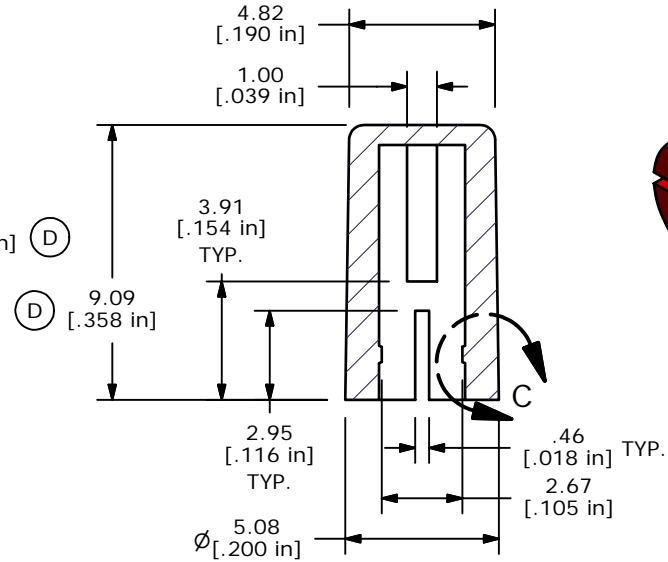


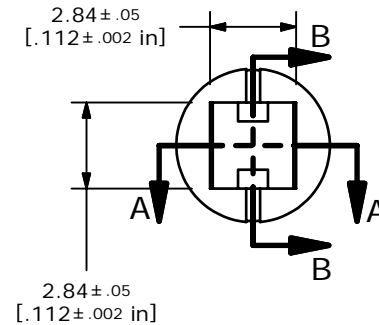
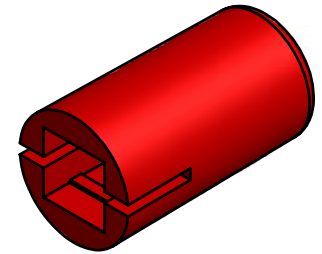
DETAIL C
SCALE 16 : 1



SECTION B-B
SCALE 4 : 1



SECTION A-A
SCALE 4 : 1



NOTES:

1. ALL DIMENSIONS IN MM [INCH]
2. GENERAL TOLERANCE: X.XX=±0.15
- ▲ 3. MATERIAL: ABS, UL94V0
- ▲ 4. COLOR: RED, PANTONE 201C
5. ▲ DENOTES CRITICAL PARAMETER.

D	15508	DIMS FROM 9.00,0.57	11/8/05	PH
C	15383	CHANGED PANTONE RED 201C FROM 187C	10/12/05	PH
B	15250	REVISED DESCRIPTION	9/8/05	PH
A	15198	RELEASED FOR PRODUCTION	8/24/2005	PH
REV	PCR NO	DESCRIPTION	DATE	BY

E-SWITCH®

TITLE 1RRED

SCALE	DATE	DR	DWG	REV
4:1	8/24/2005	PH	Q800302	D

THE INFORMATION CONTAINED IN THIS DOCUMENT IS PROPRIETARY TO E-SWITCH AND IS NOT TO BE COPIED OR TRANSFERRED