

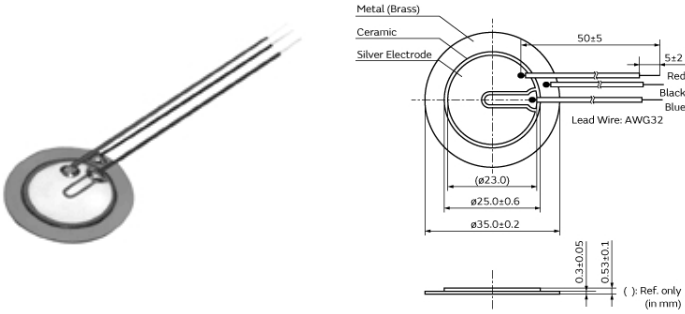
7BB-35-3CL0

In Production

RoHS

REACH

Appearance & Shape



Features

1. Clear sound
2. Ultra thin and lightweight
3. No contacts: therefore, no noise and highly reliable
4. Low power consumption for voltage type

Applications

Other Usage	Consumer/Industrial
-------------	---------------------

Packaging Information

Packaging	Specifications	Standard Packing Quantity
-	Bulk	400

Attention

1. This datasheet is downloaded from the website of Murata Manufacturing Co., Ltd. Therefore, its specifications are subject to change or our products in it may be discontinued without advance notice. Please check with our sales representatives or product engineers before ordering.
2. This datasheet has only typical specifications because there is no space for detailed specifications. Therefore, please review our product specifications or consult the approval sheet for product specifications before ordering.

7BB-35-3CL0



Specifications

Resonance Frequency	2.8kHz
Resonant Frequency Tolerance	±0.5kHz
Resonant Impedance (R1)	200Ω
Capacitance	26nF
Capacitance Tolerance	±30%
Measurement Condition of Capacitance	[1kHz]
Operating Temperature Range	-20°C to 70°C
Storage Temperature Range	-30°C to 80°C
Shape	With lead wire
Plate Size	35mm
Element Size	25mm
Plate Material	Brass
Specification of Lead Wire	AWG32
Lead Length	50mm
Drive Type	Self Drive
EIAJ Part Number	PD-SU3-C35-28
Mass	3531mg

Attention

- 1.This datasheet is downloaded from the website of Murata Manufacturing Co., Ltd. Therefore, it's specifications are subject to change or our products in it may be discontinued without advance notice. Please check with our sales representatives or product engineers before ordering.
- 2.This datasheet has only typical specifications because there is no space for detailed specifications. Therefore, please review our product specifications or consult the approval sheet for product specifications before ordering.

Mouser Electronics

Authorized Distributor

Click to View Pricing, Inventory, Delivery & Lifecycle Information:

[Murata:](#)

[7BB-15-6L0](#) [7BB-35-3CA0](#) [7BB-27-3C](#) [7BB-35-3CL0](#)