

FCI CONFIDENTIAL



This document is the property of and embodies CONFIDENTIAL and PROPRIETARY information of FCI. No part of the information shown on this document may be used in any way or disclosed to others without the written consent of FCI. Copyright FCI.

PRODUCT NUMBER
20020327-XXX1B01LF

20020327- [] [] [] 1 B 0 1 LF

PITCH

C: 3.50 mm
D: 3.81 mm

POLES

02: 2 POLES
03: 3 POLES
04: 4 POLES

24: 24 POLES

PROPERTY TABLE

FCI SERIES NAME	26-350	26-381
PITCH (mm)	3.50	3.81
VOLTAGE RATING (VAC)	300	300
CURRENT RATING (A)	10	10
SOLID/STRANDED WIRE (AWG)	16~24	16~24
WIRE CROSS SECTION (mm*mm)	1.5~0.2	1.5~0.2
WIRE STRIP LENGTH(mm)	5~6	5~6
TORQUE (N-m/Lb-in)	0.19/1.7	0.19/1.7
SCREW	M2	M2
WITHSTANDING VOLTAGE (kV)	1.6	1.6
OPERATING TEMP. (°C)	-40~115	-40~115
SOLDERING TEMP. (°C)	250±10 (5 sec.)	250±10 (5 sec.)
POLES AVAILABLE	02~24	02~24
SAFETY CERTIFICATE		

NOTES:

- MATERIALS
1-1 HOUSING: THERMALPLASTIC RESIN, UL 94V-0 RATED, COLOR GREEN.
1-2 SCREW: STEEL, ZINC PLATED.
1-3 CLAMP: BRASS, NICKEL PLATED.
1-4 TERMINAL: BRASS, TIN PLATED.
- PRODUCT SPECIFICATION REFER TO FCI GS-12-625.
- BOXED PACKAGING,
DETAILED PRODUCT PACKING SPECIFICATION REFER TO FCI GS-14-1394.
- FCI, SAFETY CERTIFICATE LOGO AND SERIES NAME TO BE SHOWN ON PRODUCT SURFACE.

	rev	ecn no	dr	date
TOLERANCES UNLESS OTHERWISE SPECIFIED	A	DG09-0203	BF	062509
	B	T09-1148	BF	111709
	C	T09-1152	BF	112609
LINEAR	X	±0.5	-	-
	X.X	±0.30	-	-
	X.XX	±0.10	-	-
ANGULAR	X'	±1'	-	-

Material		Spec ref *	
Mat code		tolerance	projection
Heat treat		✓	⊕
Plating/Finish			MM
Dr	BEER FU	062509	size A4
Eng	BEER FU	062509	Scale
Chr	GARY HSIEH	062509	Product family
Appr	JOSEPH HSIA	062509	Model Name
			Model Revision
			ECN T09-1152
			REL Level RELEASED
	title	chg no	Rev.
	TERMINAL BLOCK	20020327	C
	Fixed horizontal		
Pro/E file	catalog no	CUSTOMER	sheet 1 of 3

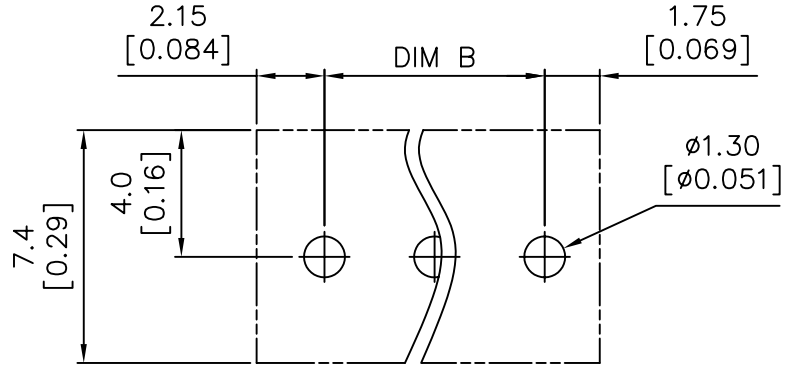
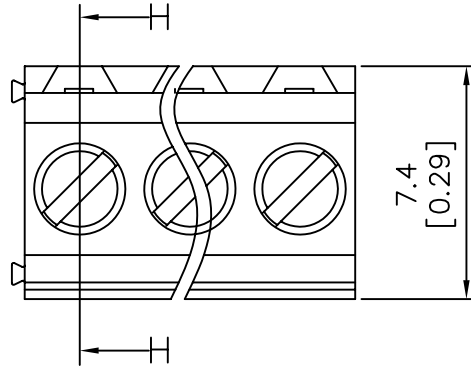
REV F: 2008-04-17

FCI CONFIDENTIAL

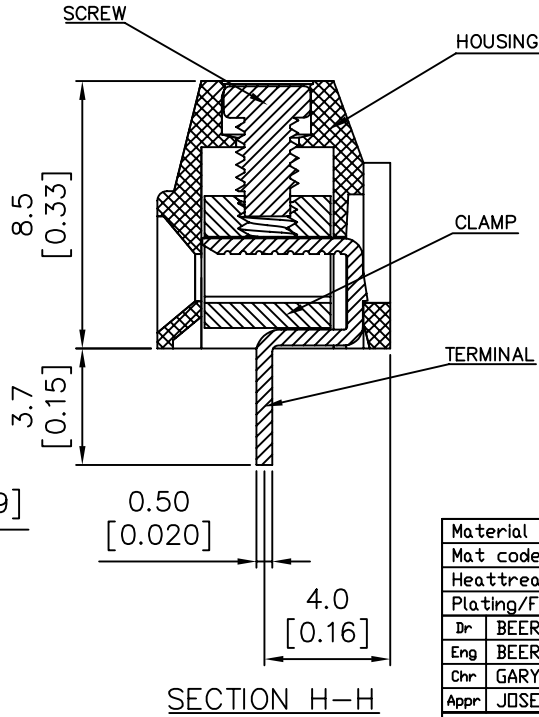
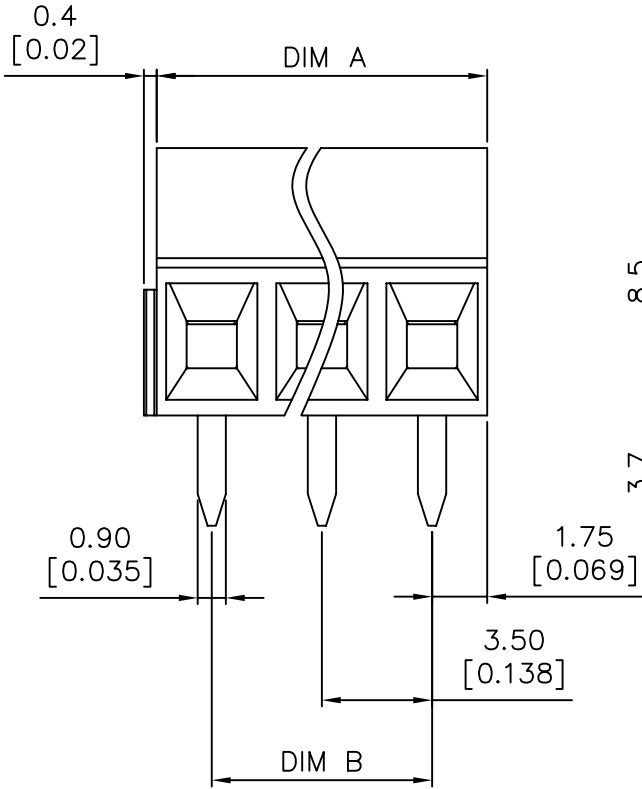


This document is the property of and embodies CONFIDENTIAL and PROPRIETARY information of FCI. No part of the information shown on this document may be used in any way or disclosed to others without the written consent of FCI. Copyright FCI.

PRODUCT NUMBER	SERIES NAME	PITCH
20020327-CXX1B01LF	26-350	3.50 mm



P.C.B. LAYOUT



SECTION H-H

N = Number of poles
 Dim A = $N \times 3.5 [0.138]$
 Dim B = $(N-1) \times 3.5 [0.138]$

TOL.	Dim A	Dim B
2-6p	$\pm 0.15 [0.006]$	
7-12p	$\pm 0.20 [0.008]$	
13-16p	$\pm 0.25 [0.010]$	
17-24p	$\pm 0.30 [0.012]$	

Material		Spec ref		
Mat code		✓	tolerance	projection
Heattreat				MM
Plating/Finish				←→
Dr	BEER FU	062509	size	A4
Eng	BEER FU	062509	Product family	
Chr	GARY HSIEH	062509	Model Name	
Appr	JOSEPH HSIA	062509	ECN	T09-1152
Model Revision			REL Level	RELEASED
		title	chg no	Rev.
terminal block		Fixed horizontal	20020327	C
Pro/E file	catalog no	CUSTOMER		sheet 2 of 3

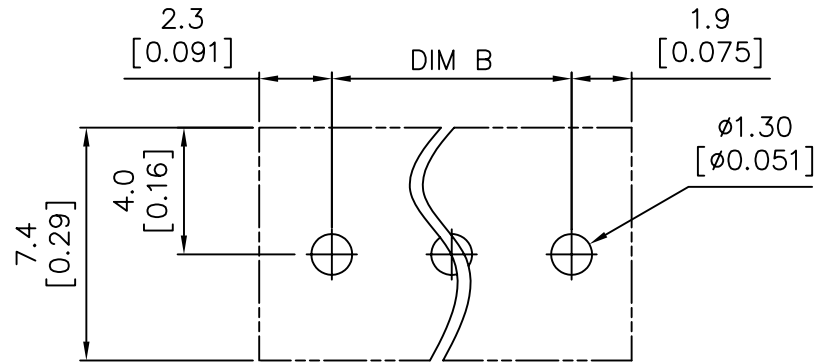
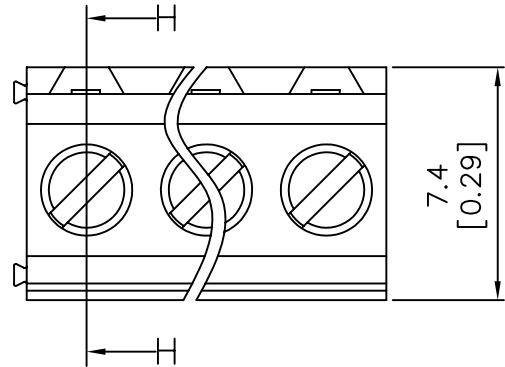
REV F: 2008-04-17

FCI CONFIDENTIAL

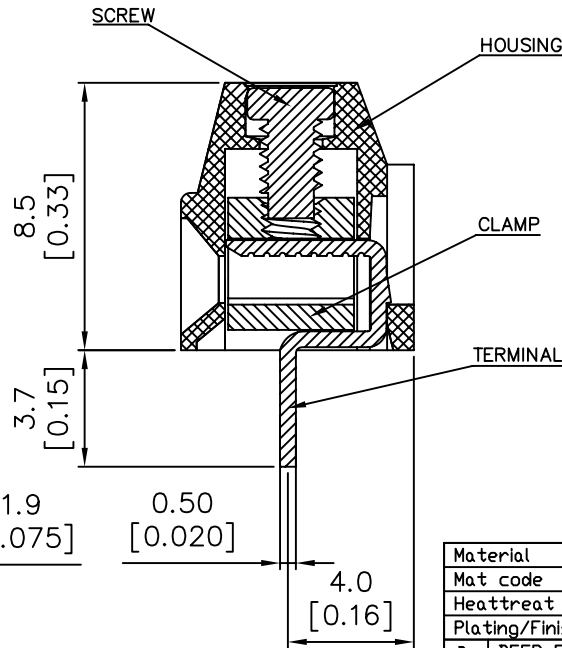
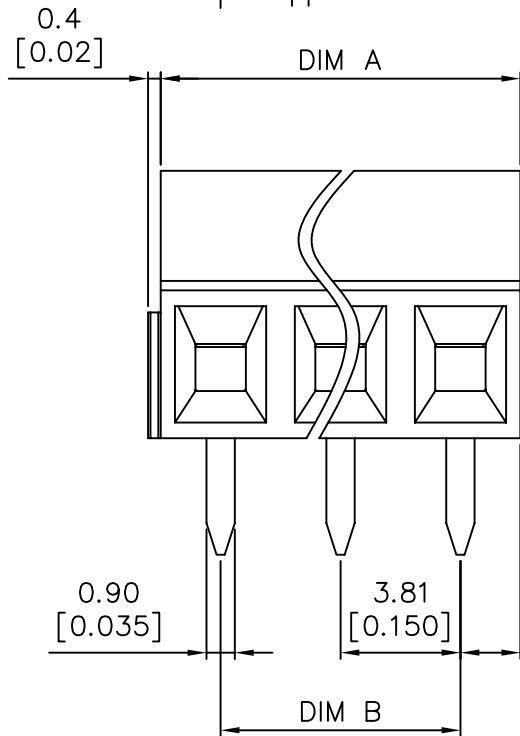


This document is the property of and embodies CONFIDENTIAL and PROPRIETARY information of FCI. No part of the information shown on this document may be used in any way or disclosed to others without the written consent of FCI. Copyright FCI.

PRODUCT NUMBER	SERIES NAME	PITCH
20020327-DXX1B01LF	26-381	3.81 mm



P.C.B. LAYOUT



N = Number of poles
 Dim A = $N \times 3.81 [0.150]$
 Dim B = $(N-1) \times 3.81 [0.150]$

TOL.	Dim A	Dim B
2-6p	$\pm 0.15 [0.006]$	
7-12p	$\pm 0.20 [0.008]$	
13-16p	$\pm 0.25 [0.010]$	
17-24p	$\pm 0.30 [0.012]$	

Material		Spec ref		
Mat code		tolerance	projection	MM
Heattreat				
Plating/Finish			size	Scale
Dr	BEER FU 062509	Product family		A4
Eng	BEER FU 062509	Model Name		ECN T09-1152
Chr	GARY HSIEH 062509	Model Revision		REL Level RELEASED
Appr	JOSEPH HSIA 062509			
	title	chg no		Rev.
	TERMINAL BLOCK	20020327		C
	Fixed horizontal			
Pro/E file	catalog no	CUSTOMER	sheet 3 of 3	

REV F: 2008-04-17