

**PLEASE CHECK WWW.MOLEX.COM FOR LATEST PART INFORMATION**

**Part Number:** [502790-4091](#)  
**Status:** **Active**  
**Description:** 0.50mm Pitch FFC/FPC Connector, SMT, ZIF, Easy-On™ Front Flip, Double Bottom Contact, 2.50mm Height, Accepts FFC/FPC with Ear-tabs, 40 Circuits

**Documents:**

<a href="#">3D Model</a>	<a href="#">Product Specification PS-502790-002 (PDF)</a>
<a href="#">Drawing (PDF)</a>	<a href="#">Packaging Specification SPK-502790-001 (PDF)</a>
<a href="#">Product Specification PS-502790-001 (PDF)</a>	<a href="#">RoHS Certificate of Compliance (PDF)</a>

**General**

Product Family	FFC/FPC Connectors
Series	502790
Product Name	Easy-On™
UPC	883906279875

**Physical**

Circuits (Loaded)	40
Color - Resin	Beige
Contact Position	Bottom
Entry Angle	90° Angle
Mated Height	2.50mm
Material - Metal	Phosphor Bronze
Material - Plating Mating	Gold
Material - Plating Termination	Gold
Net Weight	371.161/mg
Number of Rows	1
Orientation	Right Angle
PCB Retention	Yes
Packaging Type	Embossed Tape on Reel
Pitch - Mating Interface	0.50mm
Polarized to PCB	Yes
Stackable	No
Temperature Range - Operating	-20°C to +85°C
Termination Interface: Style	Surface Mount
Wire/Cable Type	FPC only

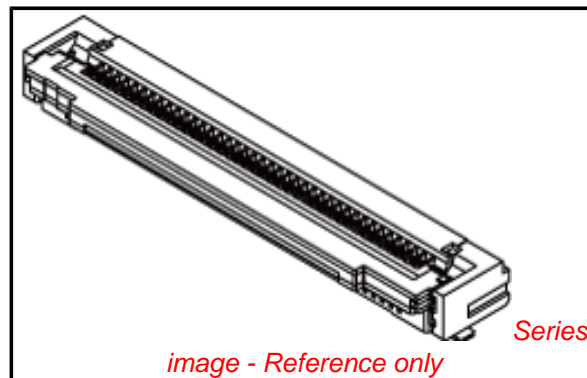
**Electrical**

Current - Maximum per Contact	0.5A
Voltage - Maximum	50V

**Material Info**

**Reference - Drawing Numbers**

Packaging Specification	SPK-502790-001
Product Specification	PS-502790-001, PS-502790-002, RPS-502790-001, RPS-502790-005, RPS-502790-006, RPS-502790-007, RPS-502790-008, RPS-502790-010, RPS-502790-011, RPS-502790-013, RPS-502790-021, RPS-502790-022
Sales Drawing	SD-502790-001, SD-502790-002



**EU RoHS**

**ELV and RoHS Compliant**

**REACH SVHC**

**Contains SVHC: No**  
**Low-Halogen Status**  
**Not Low-Halogen**

**China RoHS**



**Need more information on product environmental compliance?**

Email [productcompliance@molex.com](mailto:productcompliance@molex.com)  
 For a multiple part number RoHS Certificate of Compliance, [click here](#)

Please visit the [Contact Us](#) section for any non-product compliance questions.

**Search Parts in this Series**

502790Series