

PLEASE CHECK WWW.MOLEX.COM FOR LATEST PART INFORMATION

Part Number: [73138-5033](#)
Status: **Active**
Overview: [BNC Miniature RF Connectors](#)
Description: BNC 50 Ohm, Right Angle, PCB Bulkhead Jack Receptacle, Die Cast Zinc Alloy Body, Nickel Plated

Documents:

[Drawing \(PDF\)](#) [RoHS Certificate of Compliance \(PDF\)](#)

General

Product Family	RF/Coax Connectors
Series	73138
MolexKits	Yes
Overview	BNC Miniature RF Connectors
Product Name	BNC
Style	PCB
UPC	800753691698
Wire/Cable Type	N/A

Physical

Cable Attachment	N/A
Gender	Jack
Keying to Mating Part	None
Net Weight	22.183/g
Orientation	Right Angle
PCB Mounting	Through Hole
PCB Thickness - Recommended	3.20mm
Packaging Type	Bag
Panel Mount	Yes
Panel Mount Method	Bulkhead
Reverse Polar	No

Electrical

Impedance	50#
-----------	-----

Solder Process Data

Lead-free Process Capability	Wave Capable (TH only)
Process Temperature max. C	245

Material Info

Reference - Drawing Numbers

Product Specification	RPS-73138-002
Sales Drawing	SD-73138-5033

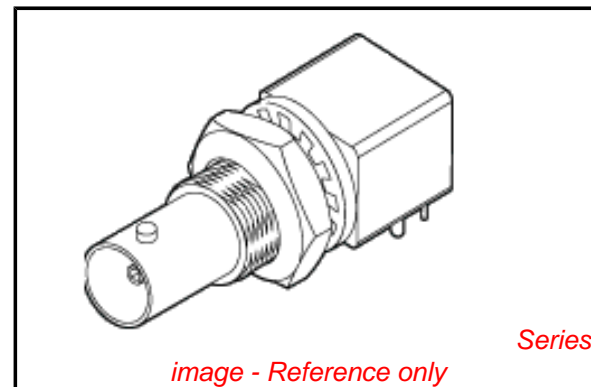


image - Reference only

EU RoHS

RoHS Compliant RF Product

REACH SVHC

Not Reviewed

Low-Halogen Status

Low-Halogen

China RoHS



Need more information on product environmental compliance?

Email productcompliance@molex.com
 For a multiple part number RoHS Certificate of Compliance, [click here](#)

Please visit the [Contact Us](#) section for any non-product compliance questions.

Search Parts in this Series

[73138Series](#)

PLEASE CHECK WWW.MOLEX.COM FOR LATEST PART INFORMATION