

PRODUCT NUMBER

75867-YXXLF

WHEN REQUIRED, ADD SUFFIX LETTER "LF" INDICATES THE PRODUCT IS RoHS COMPATIBLE, SEE NOTE 5

PIN STYLE, SEE SHEET 2

PLATING SEE SHEET 2

NOTES:

- 1 - HOUSING MAT'L : GLASS FILLED THERMOPLASTIC. UL94V-0 COLOR: BLUE
- 2 - PIN MATERIAL : PHOSPHOR BRONZE
- 3 - PRODUCT PACKAGED IN TUBES.
- 4 - TO DETERMINE DIMENSIONS :
N = NUMBER OF POSITIONS PER ROW
EXAMPLE : 8 POS N x 2.54 = 20.32mm
- 5 - RoHS COMPATIBLE PRODUCT SPECIFICATIONS

a - PLATING:

"LF" MEANS THE PRODUCT IS LEAD-FREE, 2µm MINIMUM MATTE TIN OVER 1.27µm MINIMUM NICKEL UNDERPLATE.

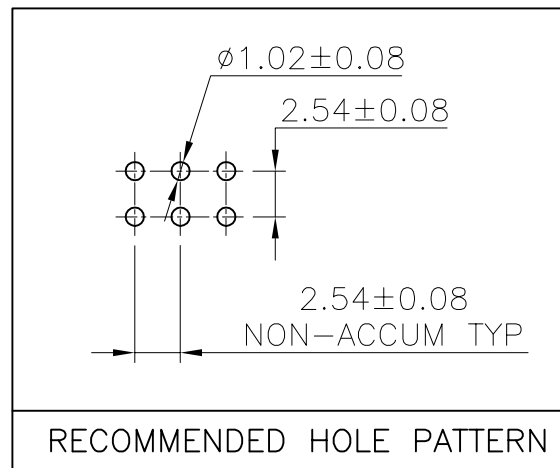
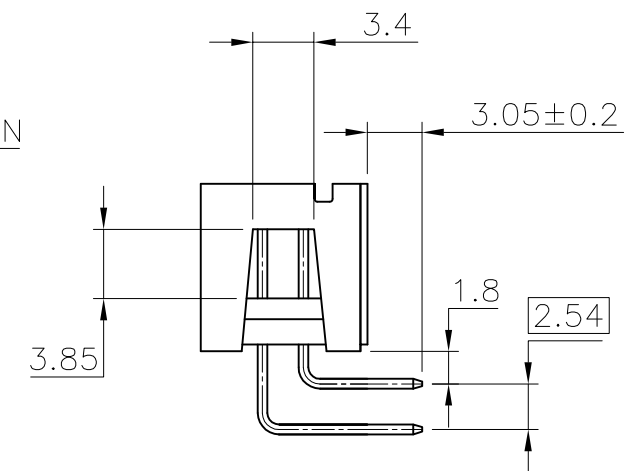
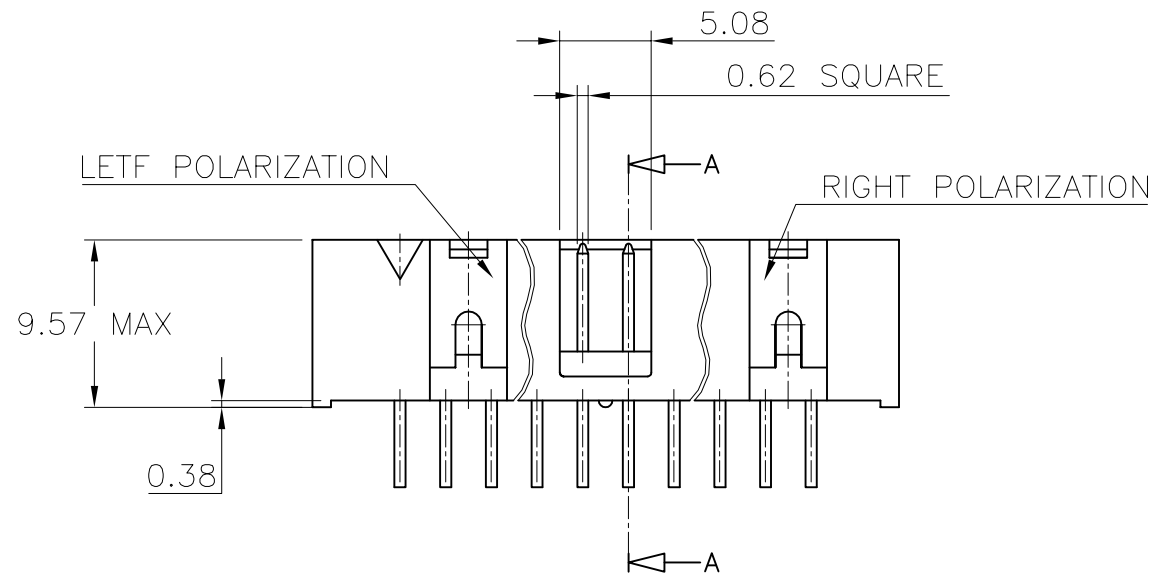
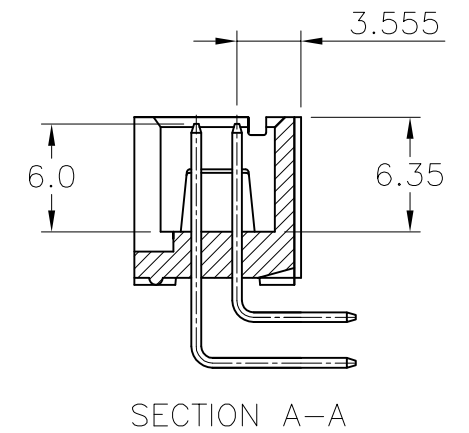
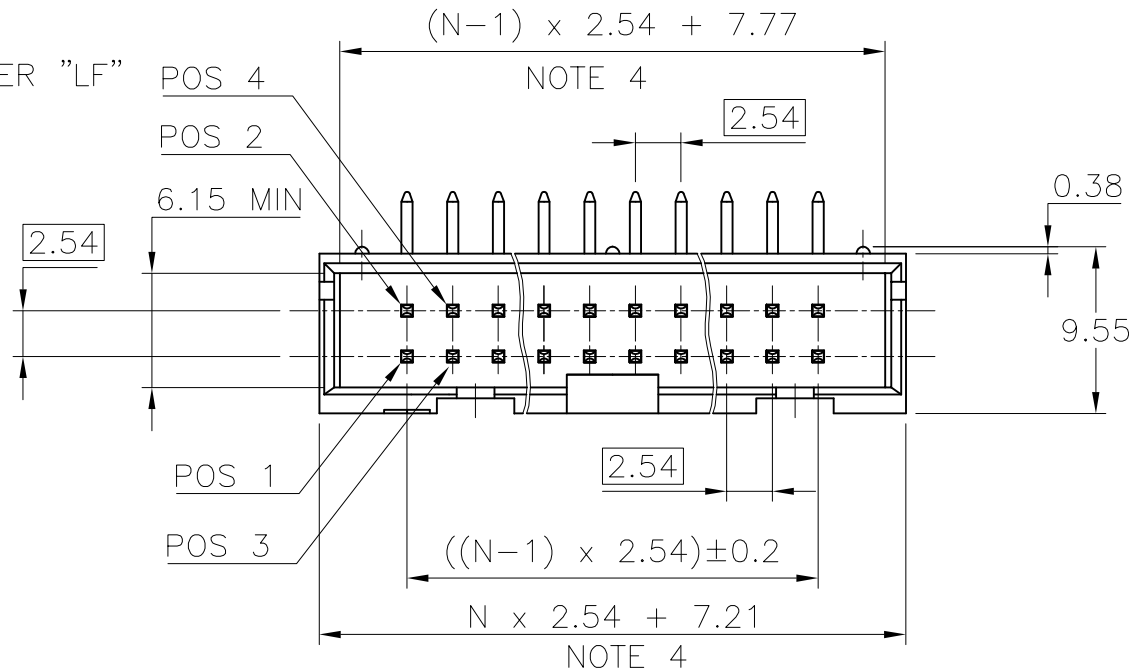
b - MANUFACTURING PROCESS COMPATIBILITY

THE HOUSING WILL WITHSTAND EXPOSURE TO 260°C ±5°C SOLDER BATH TEMPERATURE FOR 5 SECONDS IN A WAVE SOLDER APPLICATION WITH A 1.6mm MIN THICK CIRCUIT BOARD.

c - LABELLING:

MEETS PACKAGING SPECS AS PER GS-14-920

d - LEGAL STATEMENT: SEE GS-22-008



mat'l. code SEE NOTES				surface ISO 1302	tolerance ISO 406 ISO 1101	projection	product family QUICKIE
ltr	ecn no	dr	date	tolerances unless otherwise specified		mm	title SHR.LP.HEADER RA DR TMT
AJ	F06-0335	LMU	06.12.08	angles	.X ±0.3		
AK	F07-0198	LMU	07.05.30	linear	.XX ±0.13		
AL	F08-0146	YOV	08.04.11		.XXX ±0.05	scale 2.5:1	
AF	F04-0389	JCO	04.12.22	dr	D.LE	01.01.24	dwg no 75867
AG	F06-0229	LMU	06.07.18	enr	JM.C	01.01.24	sheet 1 of 2
AH	F06-0311	LMU	06.10.26	chr	JF.N	01.01.24	size A3
				appd	JM.C	01.01.24	type CUSTOMER Drawing
sheet index	revision sheet	AL	AH				
		1	2				

1

2 3

4

5

6

CORE RANGE

PIN STYLE	Nbr OF POSITIONS	LEFT POLARIZATION	RIGHT POLARIZATION
30	2 x 2	NO	NO
31	2 x 3	NO	NO
32	2 x 4	NO	NO
01	2 x 5	NO	YES
02	2 x 7	NO	YES
03	2 x 8	YES	YES
04	2 x 10	YES	YES
05	2 x 13	YES	YES
33	2 x 15	YES	YES
06	2 x 17	YES	YES
07	2 x 20	YES	YES
08	2 x 25	YES	YES
09	2 x 30	YES	YES
10	2 x 32	YES	YES

PLATING :

1 = 0.76µm GOLD/GXT
(PdNi WITH GOLD FLASH) ON CONTACT AREA
3.81µm TIN-LEAD ON TAIL
UNDERPLATE : 1.27µm Ni MIN

- WHEN SUFFIX LETTER "LF" IS REQUIRED,
2µm MIN MATTE TIN OVER 1.27µm MIN
NICKEL IS PROVIDED INSTEAD OF TIN-LEAD

CATALOGUE RANGE

PIN STYLE	Nbr OF POSITIONS	LEFT POLARIZATION	RIGHT POLARIZATION
30	2 x 2	NO	NO
31	2 x 3	NO	NO
32	2 x 4	NO	NO
01	2 x 5	NO	YES
02	2 x 7	NO	YES
03	2 x 8	YES	YES
04	2 x 10	YES	YES
05	2 x 13	YES	YES
33	2 x 15	YES	YES
06	2 x 17	YES	YES
07	2 x 20	YES	YES
08	2 x 25	YES	YES
09	2 x 30	YES	YES
10	2 x 32	YES	YES

PLATING :

2 = 3.81µm TIN LEAD FULL PLATED

3 = 0.38µm GOLD/GXT
(PdNi WITH GOLD FLASH) ON CONTACT AREA
3.81µm TIN-LEAD ON TAIL
UNDERPLATE : 1.27µm Ni MIN

- WHEN SUFFIX LETTER "LF" IS REQUIRED,
2µm MIN MATTE TIN OVER 1.27µm MIN
NICKEL IS PROVIDED INSTEAD OF TIN-LEAD

APLLICATION SPECIFIC

PIN STYLE	Nbr OF POSITIONS	LEFT POLARIZATION	RIGHT POLARIZATION	OMIT PIN
13	2 x 17	YES	YES	5
14	2 x 20	YES	YES	19
34	2 x 5	NO	YES	5
35	2 x 10	YES	YES	19
36	2 x 20	YES	YES	10
37	2 x 20	YES	YES	11
38	2 x 20	YES	YES	20

PLATING :

1 = 0.76µm GOLD/GXT
(PdNi WITH GOLD FLASH) ON CONTACT AREA
3.81µm TIN-LEAD ON TAIL

2 = 3.81µm TIN LEAD FULL PLATED

3 = 0.38µm GOLD/GXT
(PdNi WITH GOLD FLASH) ON CONTACT AREA
3.81µm TIN-LEAD ON TAIL
UNDERPLATE : 1.27µm Ni MIN

- WHEN SUFFIX LETTER "LF" IS REQUIRED,
2µm MIN MATTE TIN OVER 1.27µm MIN
NICKEL IS PROVIDED INSTEAD OF TIN-LEAD



FCIconnect.com

Copyright FCI

mat'l. code				surface ISO 1302	tolerance ISO 406 ISO 1101	projection mm	product family QUICKIE
ltr	ecn no	dr	date	tolerances unless otherwise specified		mm	title SHR.LP.HEADER RA DR TMT
AB	F00492	LMU	00.09.04	angles	linear		
AC	F10120	DLE	01.01.24			scale N/A	dwg no 75867
AD	F04-0147	LMU	04.02.26				
AE	F04-0389	JCO	04.09.21	dr	D.LE	01.01.24	sheet 2 of - size A3
AF	F06-0229	AH	06.07.18	enr	JM.C	01.01.24	
AG	F07-0198	LMU	07.05.30	chr	JF.N	01.01.24	type CUSTOMER Drawing
AH	F08-0146	YOV	08.04.11	appd	JM.C	01.01.24	
sheet index	revision sheet						

1

2

3

4

5

6