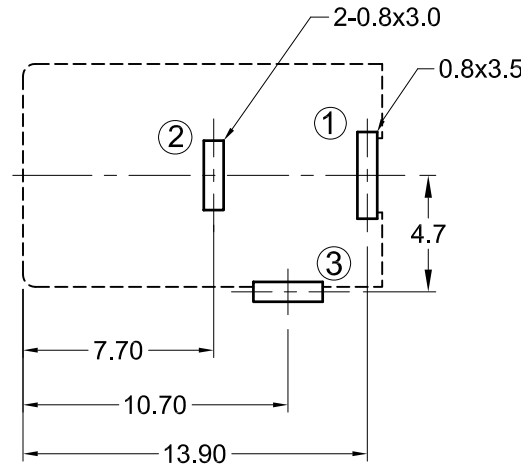
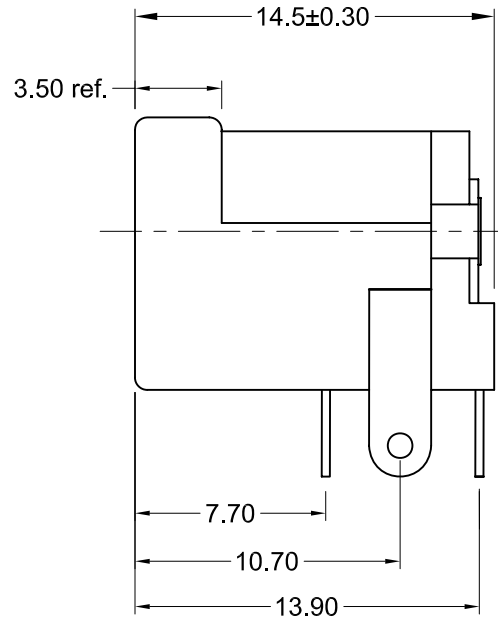
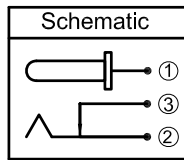
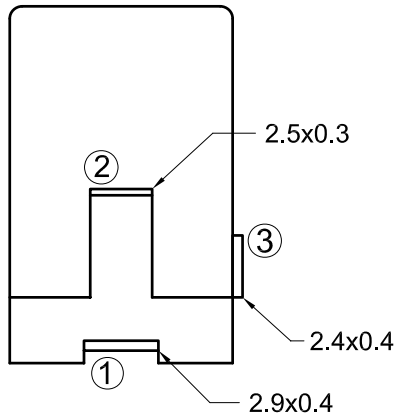


PIN DIAMETER:
 KLDX-0202-A 2.0±0.05
 KLDX-0202-B 2.5±0.05



PCB Layout
(Top View)

| Part Number | Center Post Diameter |
|-------------|----------------------|
| KLDX-0202-A | Ø2.0±0.05 |
| KLDX-0202-B | Ø2.5±0.05 |

Material and Finish

Body: PBT Thermoplastic
 UL94V-0, Color: Black
 Center Pin: Copper Alloy, Nickel Plated
 Contact #1: Brass, Tin Plated
 Contact #2: Phosphor Bronze, Tin Plated
 Contact #3: Brass, Tin Plated

Electrical Characteristics

Contact Resistance
 Before Test
 Between Terminals: 30 milliohms Max.
 Plug to Contacts: 50 milliohms Max.
 After Test:
 Between Terminals: 60 milliohms Max.
 Plug to Contacts: 100 milliohms Max.
 Rated Voltage: 24V DC
 Rated Current: 3.5A,
 5A at 20V Max.
 Insulation Resistance: 100 Megohms Min.
 at 500V DC

Mechanical Characteristics

Durability Test: 5000 cycles
 Insertion Force: 0.3kg-2.0kg
 Extraction Force: 0.3kg-2.0kg
 Operating Temp: -25°C to +85°C



| Tolerances |
|----------------------------|
| X.X ± 0.25 |
| X.XX ± 0.15 |
| Unless Stated Otherwise |

| REV. | DATE | DESCRIPTION | REV. BY | CHK. BY | DRAWN BY | DATE |
|------|----------|-------------|------------|-------------|----------|---------|
| A1 | 6/2/05 | New Drawing | H. MA | C. Furumasu | H. MA | 5/31/05 |
| B1 | 01/31/06 | ECO# 05-069 | R. Aguirre | H. MA | | |
| C1 | 11/13/06 | ECO# 06-058 | H. MA | C. Furumasu | | |

KLDX-0202-X

Thru-hole DC power jack
 for 2.0 and 2.5 mm plugs, RoHS Compliant

