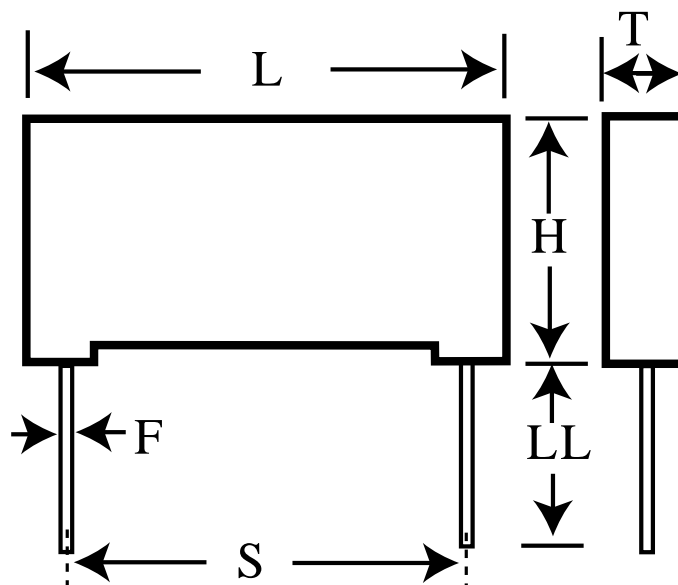


# PHE840MY6680MD15R17T1

aka F840DM684M275P

Capacitor, film, 0.68 uF, +/-20% Tol, -55/+105C, Safety: X2, 275VAC,  
Lead Spacing=22.5 mm



## Dimensions (mm)

## Specifications

ID	Dimension	Tolerance
L	26	max
H	18.5	max
T	9	max
S	22.5	+/-0.4
LL	17	nom
F	0.8	nom

<b>Manufacturer:</b>	KEMET
<b>Brand:</b>	Rifa
<b>Capacitance:</b>	0.68 uF
<b>Temperature Range:</b>	-55/+105C
<b>Rated Temperature:</b>	105C
<b>Voltage @ rated temp:</b>	760V
<b>Voltage AC:</b>	275VAC
<b>Tolerance:</b>	+/-20%
<b>Body Type:</b>	Radial Box
<b>Construction:</b>	Wound
<b>Application:</b>	Safety: X2
<b>Dissipation Factor @ 1 kHz:</b>	0.1%
<b>Dissipation Factor @ 10 kHz:</b>	0.4%
<b>Insulation Resistance:</b>	14.71 GOhm
<b>Maximum dVdT:</b>	100v/us
<b>UL_1414:</b>	250V
<b>UL_1283:</b>	280V
<b>IEC_60384-14:</b>	275V
<b>EN_132400:</b>	275V
<b>C_22.2_NO.1:</b>	250V
<b>C_22.2_NO.8:</b>	280V
<b>Miscellaneous Electrical:</b>	UL/CSA VAC= 280; fo= &DD2&"MHz series(PHE840M)
<b>Package Kind:</b>	T&R
<b>Package Size:</b>	500mm
<b>Package Quantity:</b>	500