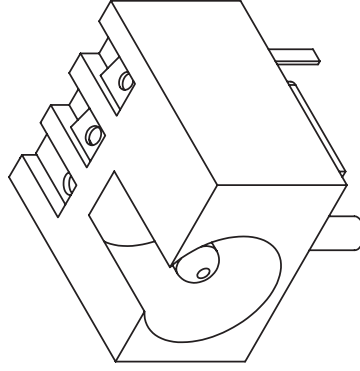
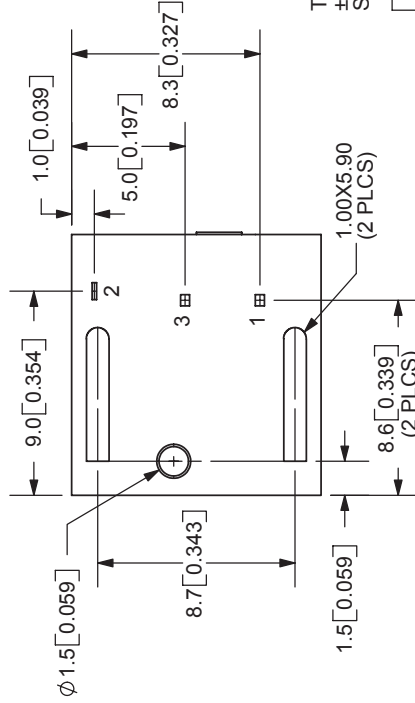
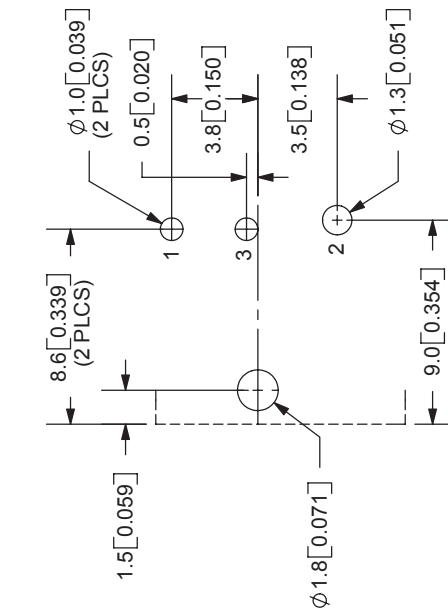
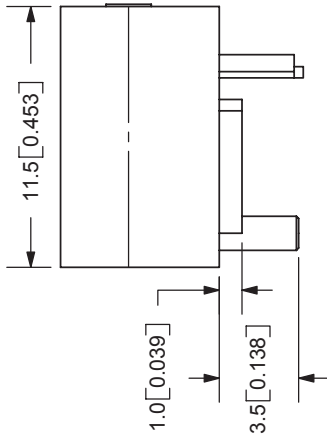
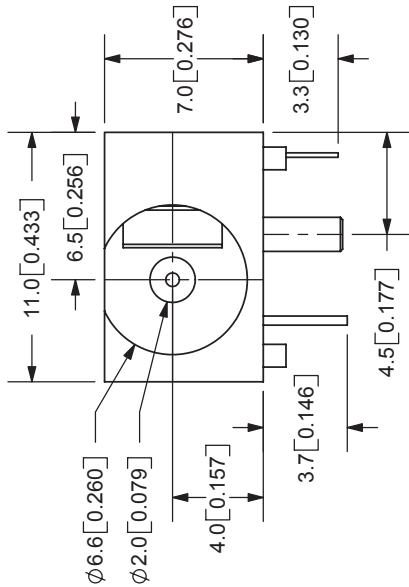


REV.	DESCRIPTION	DATE
A	NEW DRAWING	5/17/2006



TOLERANCE:  
±0.3mm UNLESS OTHERWISE SPECIFIED



9615 SW Allen Blvd., Ste. 103  
Beaverton, OR 97005  
Phone: 503-643-4899  
800-275-4899  
Fax: 503-372-1266  
Website: www.cui.com

SPECIFICATIONS:  
RATING: 16V DC @ 2A  
CONTACT RESISTANCE: 30m OHMS MAX  
INSULATION RESISTANCE: 100M OHMS MIN: 500V DC  
VOLTAGE WITHSTAND: 500V AC R.M.S. FOR 1 MINUTE  
LIFE: 5,000 CYCLES  
OPERATING TEMP: -20° ~ +85°C

MODEL NO.	PJ-012A
SCHEMATIC	
CENTER PIN DIAMETER 2.0mm	

CENTER PIN	MATERIAL	PLATING
TERMINAL 1	Copper	Nickel
TERMINAL 2	Brass	Silver
TERMINAL 3	Titanium Copper Alloy	Silver
HOUSING	Brass	Silver
	PBT	

TITLE:	DC POWER JACK	REV:	A
PART NO:	PJ-012A	UNITS:	MM [INCHES]
DRAWN BY:	ZRJ	APPROVED BY:	
		SCALE:	3:1