

3.5mm Vertical Audio Jack

**RoHS
Compliant**



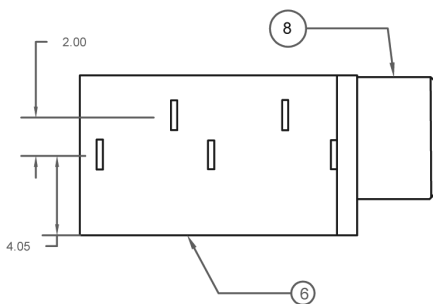
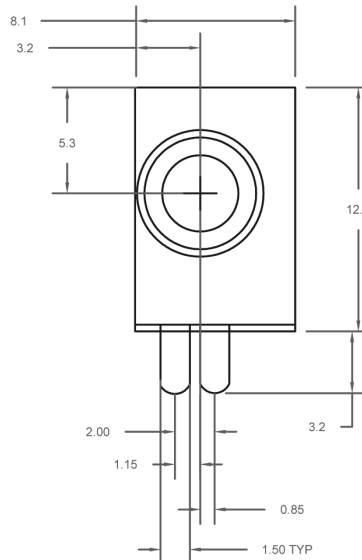
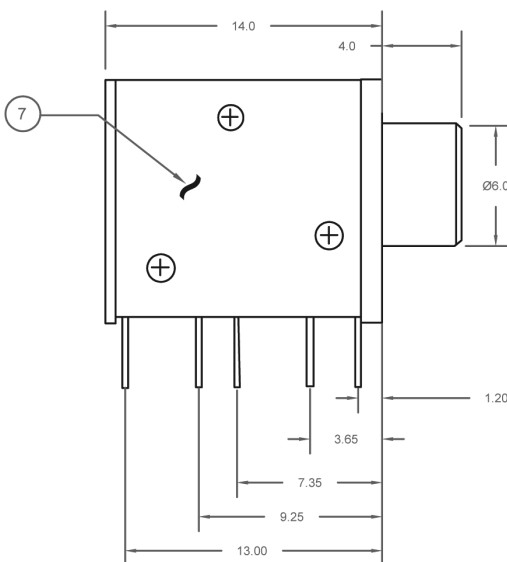
Specifications:

Electrical

Contact Resistance : 30mΩ maximum
 Insulation Resistance : 100MΩ minimum at 500V DC
 Dielectric Strength : 500 V AC for 1 minute

Mechanical:

Insertion Force : 0.3 to 2kg
 Withdrawal Force : 0.3 to 2kg
 Operating Life : 5000 Cycles

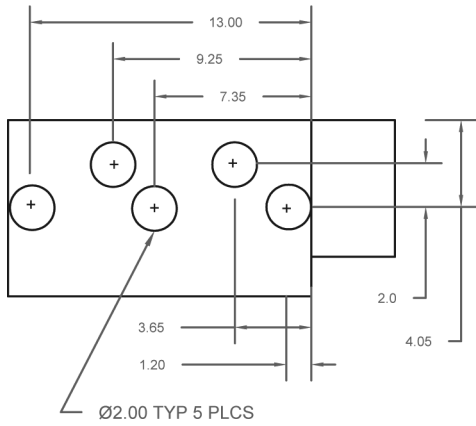


Dimensions : Millimetres

Item	Description	Material/Finish
1	Sleeve	Brass 0.3mm Thick - Silver Plated
2	Tip	Phosphor Bronze 0.25mm Thick - Silver Plated
3	Shunt Terminal - A	Brass 0.3mm Thick - Silver Plated
4	Ring	Phosphor Bronze 0.25mm Thick - Silver Plated
5	Shunt Terminal - B	Brass 0.3mm Thick - Silver Plated
6	Housing	PBT - Black
7	Cover	PC - Transparent
8	Bushing	Brass - Tin Plated

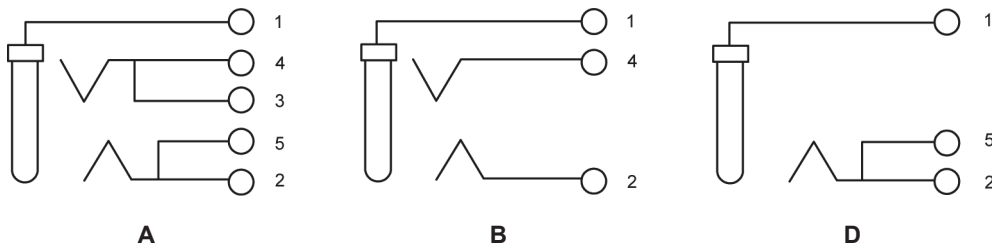
3.5mm Vertical Audio Jack

PCB Layout (Bottom View):



Dimensions : Millimetres

Schematic:



Part Number Table

Description	Bushing	Schematic	Part Number
3mm Audio Jack	Threaded	A	SPC21338
	Non-Threaded		SPC21339
	Threaded	B	SPC21341
	Non-Threaded	D	SPC21342
			SPC21343

Important Notice : This data sheet and its contents (the "Information") belong to the members of the Premier Farnell group of companies (the "Group") or are licensed to it. No licence is granted for the use of it other than for information purposes in connection with the products to which it relates. No licence of any intellectual property rights is granted. The Information is subject to change without notice and replaces all data sheets previously supplied. The Information supplied is believed to be accurate but the Group assumes no responsibility for its accuracy or completeness, any error in or omission from it or for any use made of it. Users of this data sheet should check for themselves the Information and the suitability of the products for their purpose and not make any assumptions based on information included or omitted. Liability for loss or damage resulting from any reliance on the Information or use of it (including liability resulting from negligence or where the Group was aware of the possibility of such loss or damage arising) is excluded. This will not operate to limit or restrict the Group's liability for death or personal injury resulting from its negligence. Multicomp is the registered trademark of the Group. © Premier Farnell plc 2012.