

VFS6VD81E221T51#

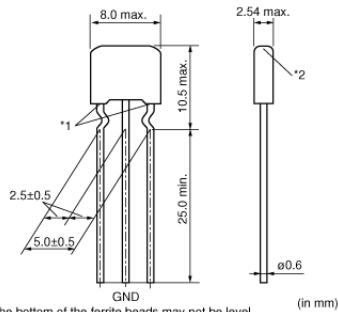
“#” indicates a package specification code.



< List of part numbers with package codes >

VFS6VD81E221T51B

Appearance & Shape



*1 The bottom of the ferrite beads may not be level with each other.
*2 There may be a hole on the top of ferrite beads, which causes no characteristics deterioration.

Packaging Information

Packaging	Specifications	Minimum Order Quantity
B	Bulk(Bag)	250

Applications

Other Usage	For general
-------------	-------------

Attention
1.This datasheet is downloaded from the website of Murata Manufacturing Co., Ltd. Therefore, it's specifications are subject to change or our products in it may be discontinued without advance notice. Please check with our sales representatives or product engineers before ordering.
2.This datasheet has only typical specifications because there is no space for detailed specifications.
Therefore, please review our product specifications or consult the approval sheet for product specifications before ordering.

VFS6VD81E221T51#

“#” indicates a package specification code.

Features

VFS6V series is designed for surge protection of signal line. It protects electric circuit from surges such as static electricity and suppresses EMI noise. Built-in ferrite bead gives excellent EMI suppression.

Applications

Elimination of noise and protection of electric circuits in office equipment, including computers and peripheral equipment, copy machines, and communication terminals.

Attention

- 1.This datasheet is downloaded from the website of Murata Manufacturing Co., Ltd. Therefore, it's specifications are subject to change or our products in it may be discontinued without advance notice. Please check with our sales representatives or product engineers before ordering.
- 2.This datasheet has only typical specifications because there is no space for detailed specifications.
Therefore, please review our product specifications or consult the approval sheet for product specifications before ordering.

VFS6VD81E221T51#

“#” indicates a package specification code.

Specifications

Shape	Lead
Length	8.0mm
Length Tolerance	max.
Width	2.54mm
Width Tolerance	max.
Thickness	10.5mm
Thickness Tolerance	max.
Rated Current	6A
Operating Temperature Range	-40°C to 105°C
Mass(typ.)	0.48g
Rated Voltage	25Vdc
Varistor Voltage	50Vdc
Varistor Voltage Tolerance	±20%
Capacitance	220pF
Capacitance Tolerance	±20%
Peak Pulse Current	100A

Attention

1.This datasheet is downloaded from the website of Murata Manufacturing Co., Ltd. Therefore, it's specifications are subject to change or our products in it may be discontinued without advance notice. Please check with our sales representatives or product engineers before ordering.

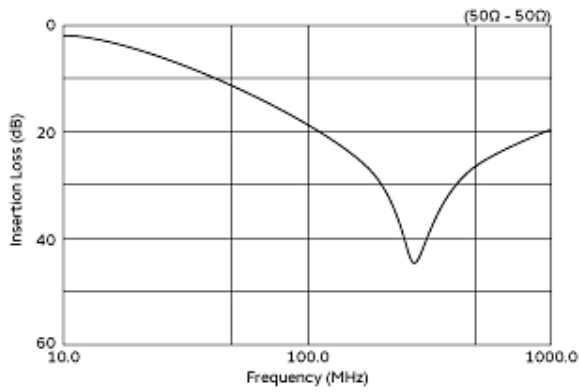
2.This datasheet has only typical specifications because there is no space for detailed specifications.

Therefore, please review our product specifications or consult the approval sheet for product specifications before ordering.

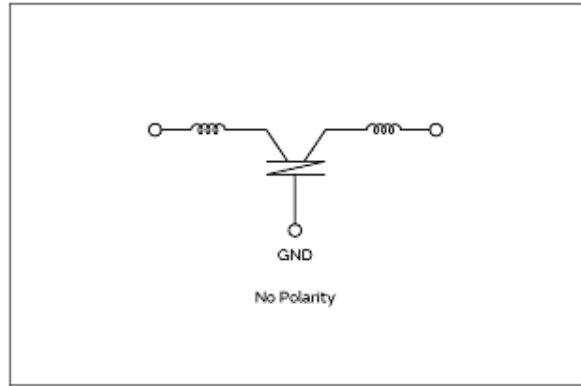
VFS6VD81E221T51#

“#” indicates a package specification code.

Product Data



Insertion Loss Characteristics



Equivalent Circuit

Attention

- 1.This datasheet is downloaded from the website of Murata Manufacturing Co., Ltd. Therefore, it's specifications are subject to change or our products in it may be discontinued without advance notice. Please check with our sales representatives or product engineers before ordering.
 - 2.This datasheet has only typical specifications because there is no space for detailed specifications.
- Therefore, please review our product specifications or consult the approval sheet for product specifications before ordering.